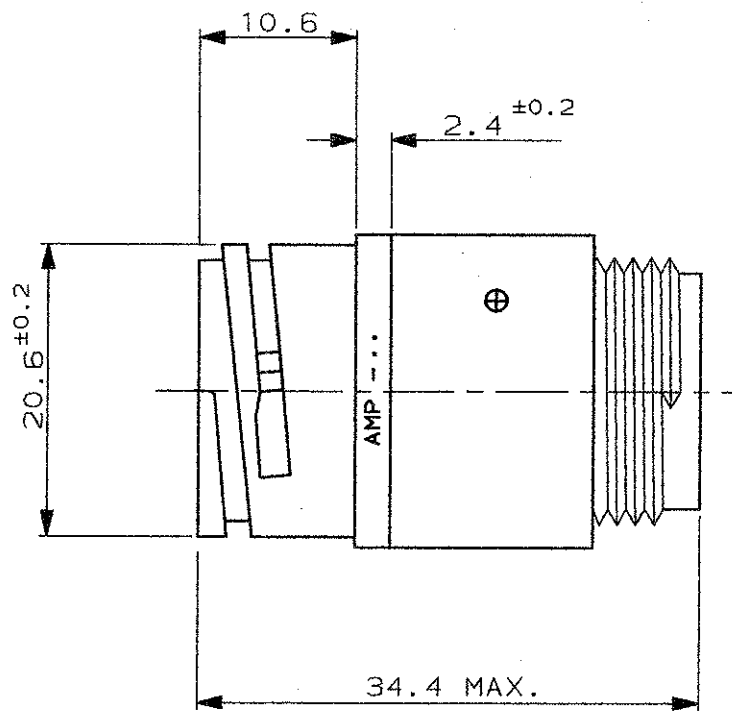


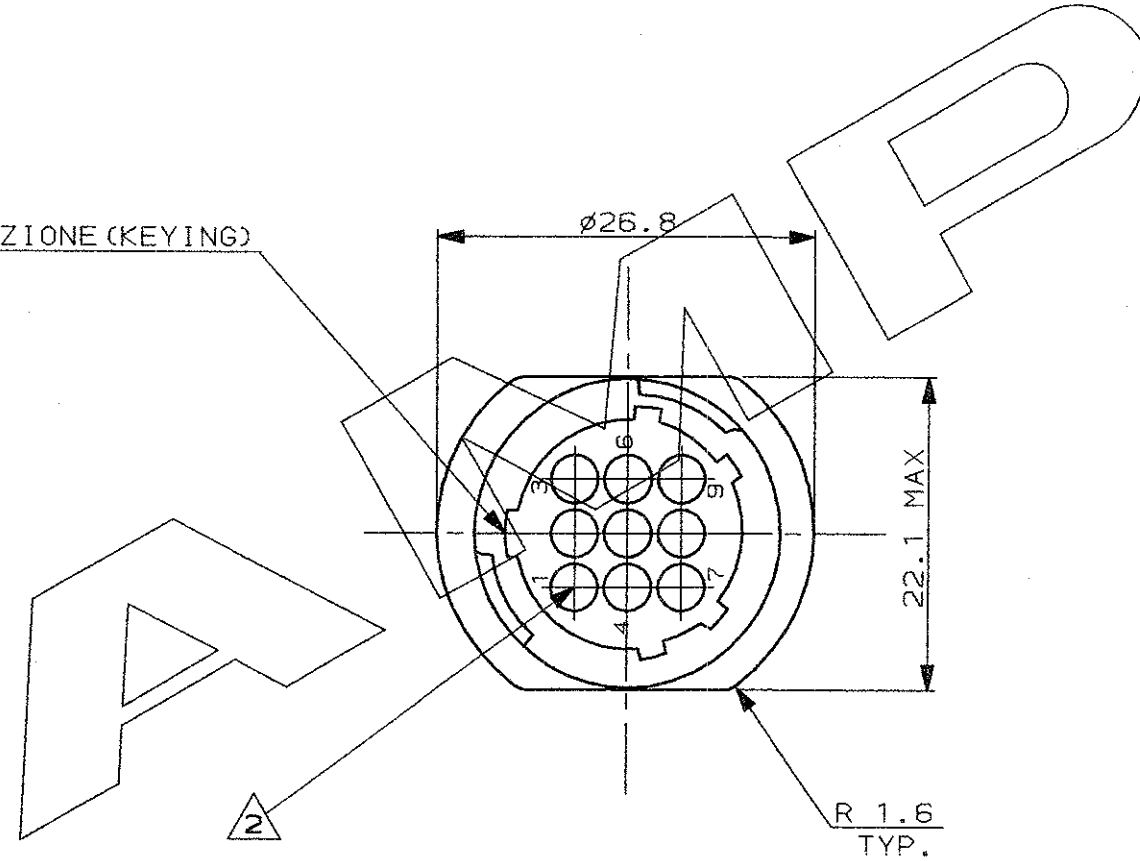
SCALA NON IMPEGNATIVA
(DO NOT SCALE)
DIMENSIONI IN mm
(DIMENSIONS IN)

METRIC

PROIEZIONE EUROPEA
(EUROPEAN PROJECTION)



POLARIZZAZIONE (KEYING)



NOTE (NOTES)

- MATERIALE: PA 6-6 CARICATO VETRO UL RECOGNIZED, COLORE NERO
(MATERIAL: PA 6-6 G.F. FILLED UL RECOGNIZED, COLOR BLACK)
- OGNI CAVITA' E' IDENTIFICATA DAL NUMERO POSTO SIA SUL FRONTE CHE SUL RETRO DEL CONNETTORE.
(CONTACT CAVITIES IDENTIFIED BY CHARACTERS)
(ON FRONT AND REAR FACES OF CONNECTOR.)
- QUESTO CONNETTORE E' APPROVATO CON FILE N.E28476 E CERTIFICATO CON FILE N.LR7189A-259
(THIS CONNECTOR IS RECOGNIZED BY FILE N.E28476 AND CERTIFIED BY FILE N.LR7189A-259)

IL DISEGNO INDICA IL P.N. 183079-1
(P.N. 183079-1 AS SHOWN)

CUSTOMER DRAWING FOR REFERENCE ONLY		DISEGNO PER CLIENTE SOLO PER RIFERIMENTO	
THIS DRAWING IS UNPUBLISHED		RELEASE FOR PUBLICATION 1991	
© COPYRIGHT 19 BY AMP INCORPORATED, HARRISBURG, PA. ALL INTERNATIONAL RIGHT RESERVED. AMP PRODUCTS MAY BE COVERED BY U.S. AND FOREIGN PATENT AND/OR PATENT PENDING			
TOLLERANZE, SE NON DIVERSAMENTE SPECIFICATO (TOLERANCES, UNLESS OTHERWISE SPECIFIED)	DIAM. ISOLANTE (INS. DIA. RANGED)	RANGO FILO (WIRE RANGE)	SCALA (SCALE)
± 0.3	-	-	-
ANGOLI (ANGLES)	AMP AMP ITALIA S.p.A. Corso F.lli Cervi, 15 COLLENO (TORINO)		
DIS. (DR.)	18 MAR. '94	DESCRIZIONE (DESCRIPTION)	C.P.C. FREE-HANGING SIZE 13-9 STD SEX SERIES 1
A3 REVISED ET00-0123-99	G.S. 01/06/94 (CHK)	CONT. (CHK)	R. CANTORE
A. RELEASED FOR PROD. ET00-0228-94	C.P. '94	APP. (APP.)	
REV. REVISIONI (REVISION RECORD)	DIS. DATA (DR) (DATE)	LOC. SIZE NUMERO (DWG NO)	REV. FOGLIO (SHEET)
		I A3 C-183079	A3 1 DI 1

DISTRIBUZIONE
(PRINT DIST.)

Mouser Electronics

Authorized Distributor

Click to View Pricing, Inventory, Delivery & Lifecycle Information:

[TE Connectivity:](#)

[183079-1](#)