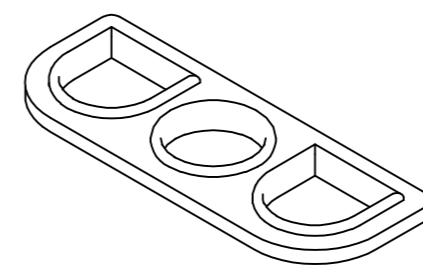
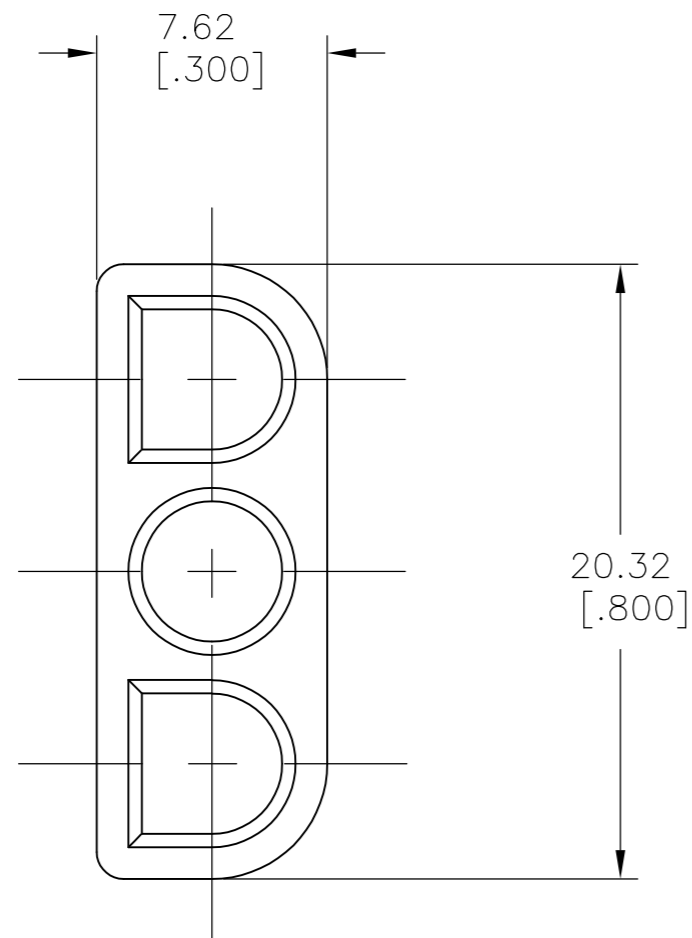


THIS DRAWING IS UNPUBLISHED. RELEASED FOR PUBLICATION
 © COPYRIGHT - By - ALL RIGHTS RESERVED.

LOC	DIST	REVISIONS			
P	LTR	DESCRIPTION	DATE	DWN	APVD
CM	53	C	REVISED PER ECR-12-011218	08OCT12	KH TM

- 1 MATERIAL: SELF LUBRICATING SILICON RUBBER
COLOR: BLUE
- 2 DIMENSIONS IN BRACKETS ARE IN INCHES.



3-DIMENSIONAL MODEL NTS

794271-1
PART NUMBER

THIS DRAWING IS A CONTROLLED DOCUMENT.		DWN	B. LEWIS	3-25-97		TE Connectivity			
DIMENSIONS:		CHK	R. SWING	3-25-97		NAME			
mm [INCHES]		APVD	D. SELF	3-25-97		INTERFACE SEAL,3 CIRCUIT, UNIVERSAL MATE-N-LOK™			
TOLERANCES UNLESS OTHERWISE SPECIFIED:		PRODUCT SPEC				SIZE	CAGE CODE	DRAWING NO	RESTRICTED TO
0 PLC	± -	APPLICATION SPEC			A2	00779	C=794271	-	
1 PLC	± -	WEIGHT			SCALE 4:1			SHEET 1 of 1	
2 PLC	± 0.38[.015]	CUSTOMER DRAWING			REV C				
3 PLC	± -								
4 PLC	± -								
ANGLES	± 0°30'								
MATERIAL	FINISH								
1	-								

Mouser Electronics

Authorized Distributor

Click to View Pricing, Inventory, Delivery & Lifecycle Information:

[TE Connectivity:](#)

[794271-1](#)