

DATASHEET

IP Module Lens

S01.01.01.218_IP-173X71-12-90

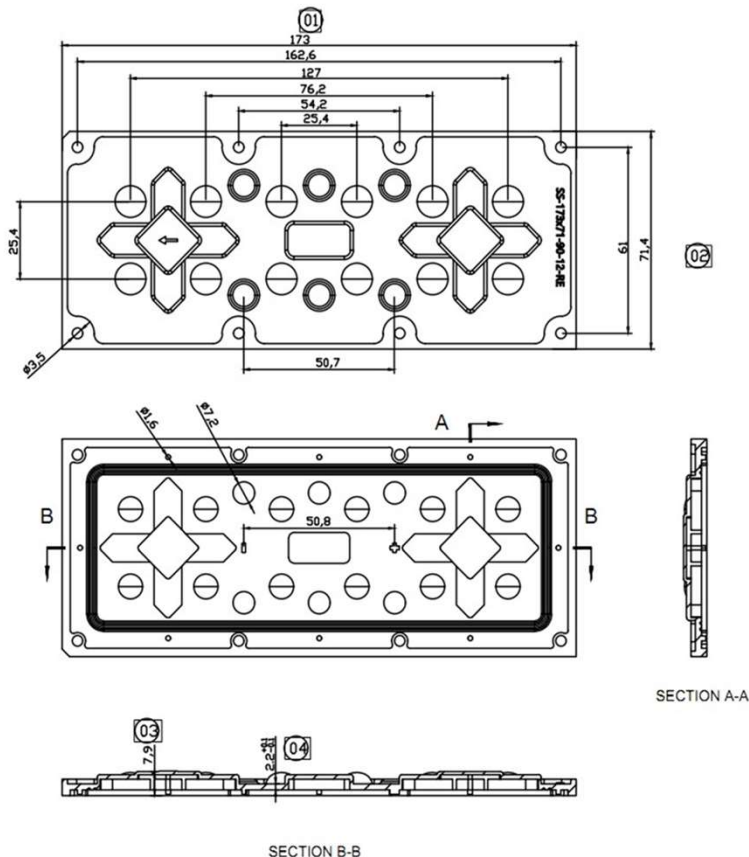
1.General Information

- ✓ Material: PC 1250Z100
- ✓ Size: 173X71 (mm)
- ✓ FWHM: 90
- ✓ Design LED: LUMILEDS 5050
- ✓ Compatible LED size: 5050
- ✓ Efficiency: 95%
- ✓ Fasten: Screw
- ✓ IP class: IP66
- ✓ Accessories: Silicon Gasket
- ✓ RoHS: YES
- ✓ Surface: Matt



2.MECHANICAL SPECIFICATION

UNIT:MM



3.OPTICAL DATA

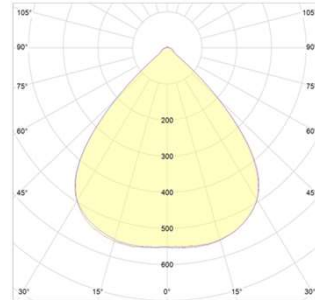
1) Simulation Data

LED model: LUMILEDS 5050

Light colour: White

FWTM: H101.8°,V103.5°

FWHM: H84.2°,V86.9°



2) Test Data

LED model: Not simulate

Light colour: Not simulate

FWTM: Not simulate

FWHM: Not simulate

4.Usage and Maintenance

- 1) If necessary, clean lenses with mild soap, water and soft cloth.
- 2) Never use any commercial cleaning solvents on lenses, like alcohol.
- 3) Please handle lens with wearing gloves, skin oils may damage lens or its optical characteristic.

5.Note

Please test the data again before using. The chart data is for reference only.