

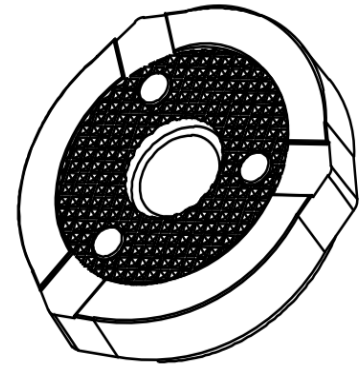
DATASHEET

S01.01.02.018_BL-D13.51-1-160

HIGHBAY MODULE LENS

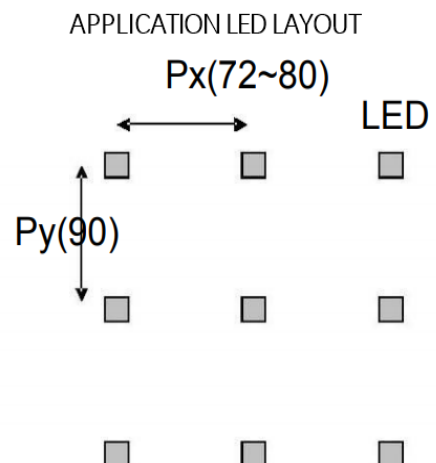
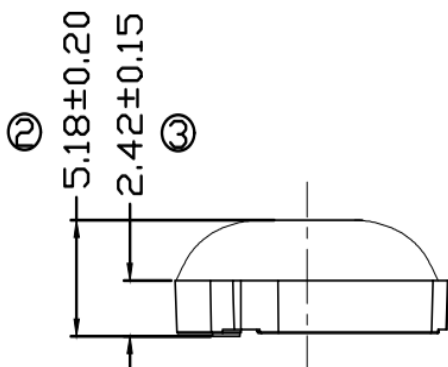
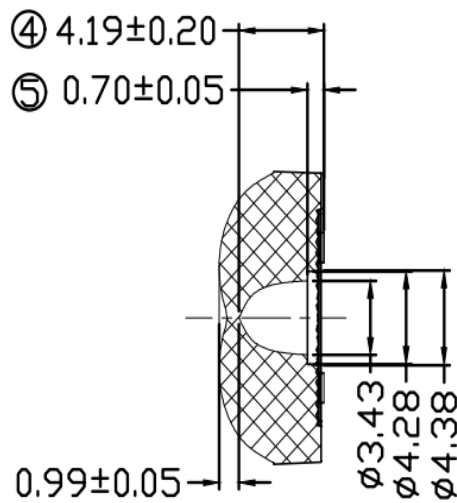
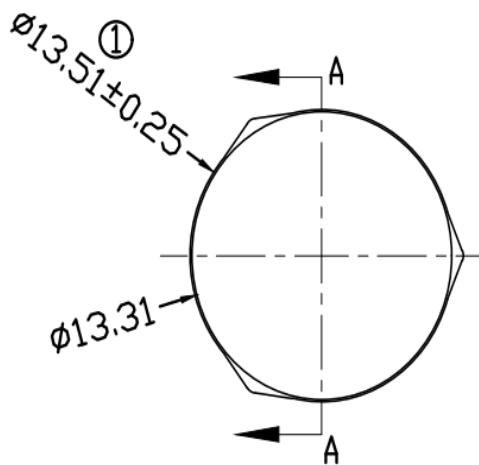
1.General Information

- ✓ Lens Material: PMMA
- ✓ Size: D13.51 H5.18MM
- ✓ Beam angle: 160°
- ✓ Compatibility: SMD3030/2835
- ✓ Efficiency: >90%
- ✓ Fasten: Glue
- ✓ RoHS: YES
- ✓ Surface: Grid



2.MECHANICAL SPECIFICATION

UNIT:MM



3.OPTICAL CHARACTERISTICS

1) Optical property

Design Brand: Advanced Optoelectronic Technology Inc. Light colour: White

LED model: 3030 H0.65MM Ø=2.6MM

No.	Test Item	Measuring equipment	Test Result
1.1	FWHM	Goniophotometer	162°
1.2	Optical Efficiency	Integrating sphere	92%
1.3	Light Spot	Visual inspection	Spot Uniform

2) Physical property

Index of refraction: 1.49

Transmittance(3mm): 93%

Softening temperature: 109°C

4.Usage and Maintenance

- 1) If necessary, clean lenses with mild soap, water and soft cloth.
- 2) Never use any commercial cleaning solvents on lenses, like alcohol.
- 3) Please handle lens with wearing gloves, skin oils may damage lens or its optical characteristic.

5.Note

Please test the data again before using. The chart data is for reference only.