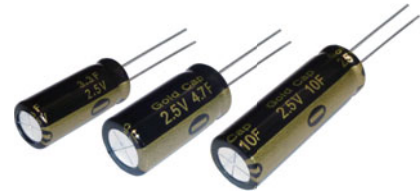


## Radial lead Type

Series : HZ



### Features

- Miniaturized, High withstand voltage
- Can be discharge mA or more current
- RoHS compliant

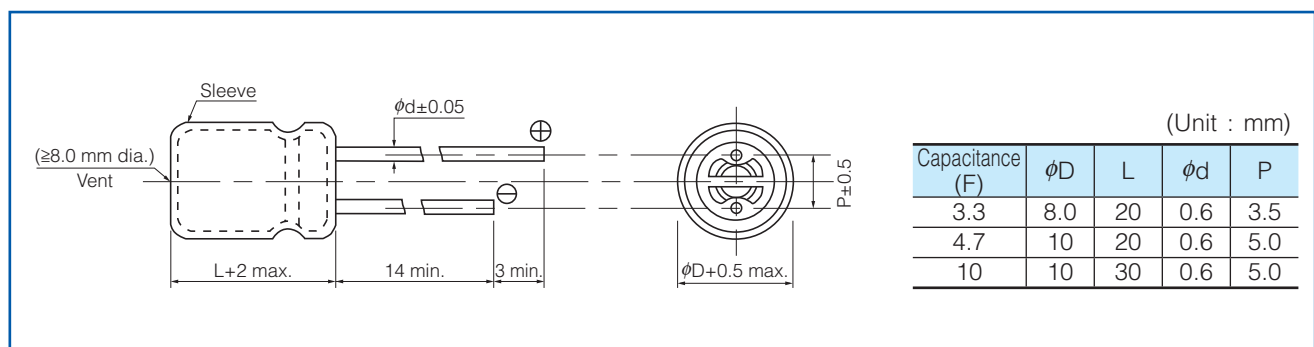
### Recommended Applications

- Solar battery operated circuits
- Back-up Power Supplies (UPS)

### Specifications

Category temp. range	-25 °C to +70 °C		
Maximum operating voltage	2.5 V.DC		
Nominal cap. range	3.3 F	4.7 F	10 F
Characteristics at low temperature	Capacitance change	±30 % of initial measured value at 20 °C (at -25 °C)	
	Internal resistance	≤ 4 times of initial specified value. (at -25 °C)	
Endurance	After 1000 hours application of 2.5 V.DC at +70 °C		
	Capacitance change	±30 % of initial measured value at 20 °C	
	Internal resistance	≤ 4 times of initial specified value.	
Shelf Life	After 1000 hours storage at +70 °C without load (voltage)		
	Capacitance change	±30 % of initial measured value at 20 °C	
	Internal resistance	≤ 4 times of initial specified value.	

### Dimensions in mm(not to scale)



### Characteristics list

Category temp. range (°C)	Maximum operating voltage (V.DC)	Capacitance (F)	Capacitance tolerance (F)	Internal resistance (Initial specified value) (Ω) at 1 kHz	Recommended discharge current	Parts number	Mass (Reference value) (g)	Min. packaging q'ty (pcs)
-25 to +70	2.5	3.3	2.64 to 4.62	≤ 0.3	300 mA or less	EECHZ0E335	1.5	200
		4.7	3.76 to 6.58	≤ 0.3	300 mA or less	EECHZ0E475	2.1	200
		10	8 to 14	≤ 0.2	1 A or less	EECHZ0E106	3.1	200

Note : Do not use reflow soldering. (IR, Atmosphere heating methods, etc. )  
Please refer to the page of "Application guidelines".

# Mouser Electronics

Authorized Distributor

Click to View Pricing, Inventory, Delivery & Lifecycle Information:

[Panasonic:](#)

[EEC-HZ0E106](#) [EEC-HZ0E335](#) [EEC-HZ0E475](#)