

REV.	DESCRIPTION	DRAWN	CHECKED	APPROVED

NOTES:

1. Hardwares are all Nickel plated.
2. PART NUMBER CODE:

DS1045 - 15 X X X X

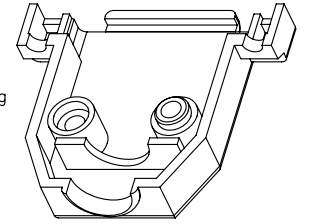
Bolt type
L: Long
S: Short

Packing type
1: Mix packing
2: Separation packing

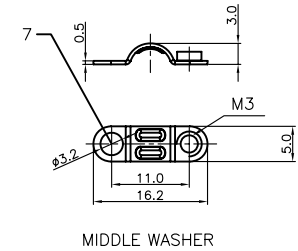
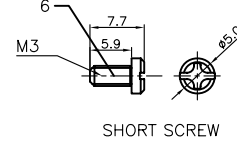
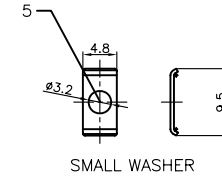
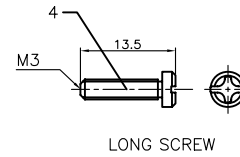
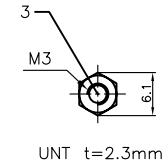
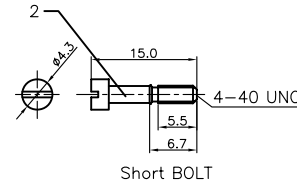
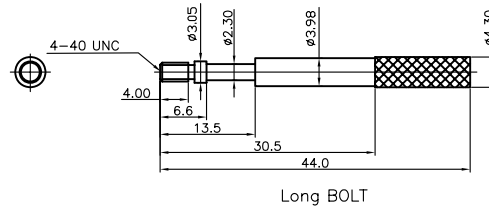
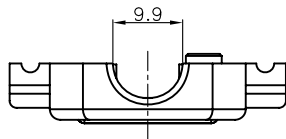
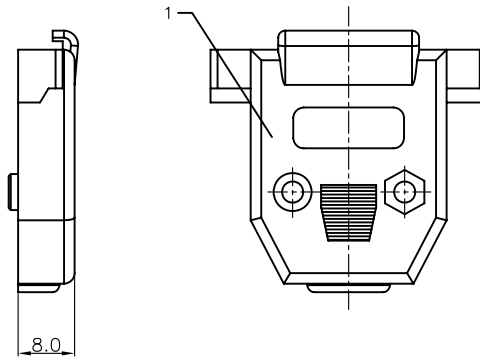
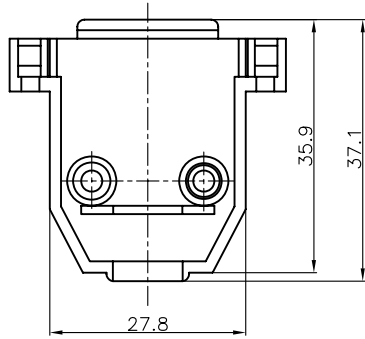
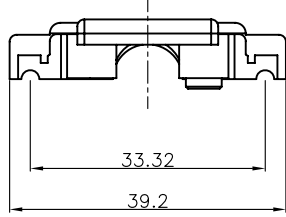
Cover Color
A: Gray
B: Black

Cover Material
P: Plastic(ABS)

Position
15: 15pin



BOM LIST			
ITEM	PART NAME	Q'ty	NOTES
1	PLASTIC HOOD	2	ABS
2	BOLT	2	#4-40
3	NUT	2	M3
4	LONG SCREW	2	M3
5	SMALL WASHER	2	
6	SHORT SCREW	2	M3
7	MIDDLE WASHER	2	M3



GENERAL TOLERANCE		ANGLE TOLERANCE		PROJECTION	TITLE	D-SUB 15pin Cover	
X.	±0.60	X.	±5°	mm			
.X	±0.38	.X	±3°	SHEET SIZE	A4	SERIES	DS1045 SERIES
.XX	±0.25	.XX	±2°	DP-15C			
DRAWING TYPE		COSTOMER					
SCALE		1:1	SHEET	1 OF 1			
DRAWING NO.		C-DS1045-15XXXX					