

Series 395

SPECIFICATIONS

技術資料

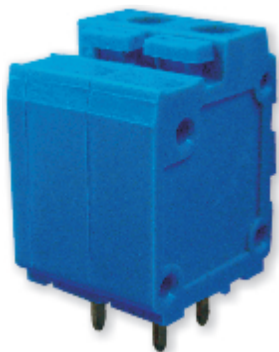
Terminal Blocks for PC-Boards Screwless, Push Button Type

395系列

印刷線路板用接線端子座 - 按鈕式免螺絲

Top Wire Inlet Type - Spacing 5.0mm or 10.0mm,
Height Over PC-Board 16.6mm

頂部入線型 - 間距5.0mm, 10.0mm, 殼體高度16.6mm



395-021-12-00



MATERIAL 材料

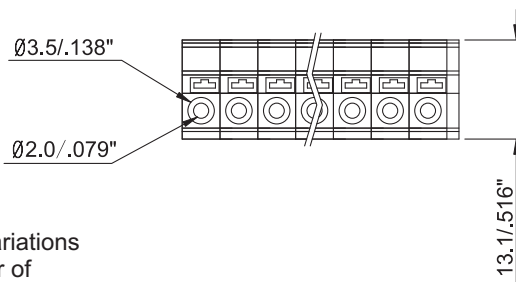
- **Contact 觸點(metal housing 金屬殼體):**
Brass, Tin plated / 黃銅 · 銅錫電鍍
- **Contact Spring 觸點彈簧:**
Stainless strip steel / 不鏽鋼片
- **Surface of Solder Tail 針腳電鍍:**
Tin plated / 鍍錫
- **Insulator Body 絕緣體(housing 殼體)**
Polyamide PA66 (UL 94 V-0) / 尼龍PA66 (UL 94 V-0)

ELECTRICAL 電機方面

- **Current Rating 工作電流:** 10 Amp
- **Dielectric Strength 電介質:** 2500V
- **Rated Voltage 額定電壓:** 250V
- **AWG 適用線號:** 28 - 18
- **Resistance to Tracking 絕緣阻值:** 5MΩ
- **Insulation Withstands Voltage 耐電壓:** AC1500V/Min
- **Stripping Length 剝線長度:** 8.0 - 9.0mm

MECHANICAL 機械方面

- **Operating Temperature 工作溫度:** -30°C to +120°C
- **Short Time Peak Temperature 短暫能容溫度:** +200°C max



PITCH	Dimension A	Dimension B
5mm	n x 5	(n - 1) x 5
10mm	n x 10	(n - 1) x 10

**** Notice:**

To avoid accumulating tolerance-variations of Terminal Blocks, limit the number of contacts to no more than 24 contacts per row

Recommended PC-Board-Holes

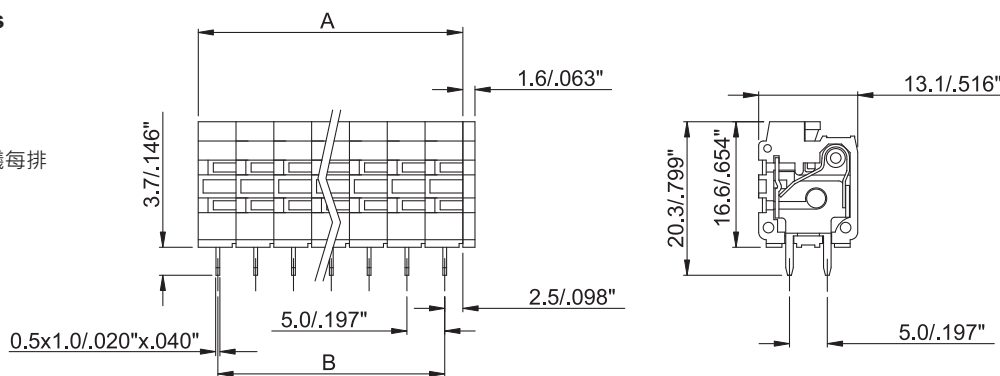
diameter : Ø1.2mm to Ø1.4mm

n = number of contacts

** 為防止累積公差過大，接線端子座建議每排不超過24位

建議底孔直徑：Ø1.2mm 至 Ø1.4mm

n = 觸點的數量



HOW TO ORDER 排序整理

