

Series 391 & 393

Terminal Blocks for PC-Boards Screwless, Push Button Type

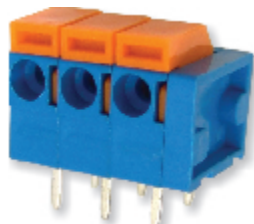
391 & 393系列

印刷線路板用接線端子座 - 按鈕式免螺絲

Spacing 5.0mm, 10.0mm, 7.5mm, 5.08mm, 10.16mm
Height Over PC-Board 14.0mm (391), 12.6mm (393)
間距5.0mm, 10.0mm, 7.5mm, 5.08mm, 10.16mm ·
殼體高度14.0mm (391), 12.6mm (393)



391-031-12-00
(Straight Pin)



393-031-12-00
(Right Angle Pin)



SPECIFICATIONS

技術資料

MATERIAL 材料

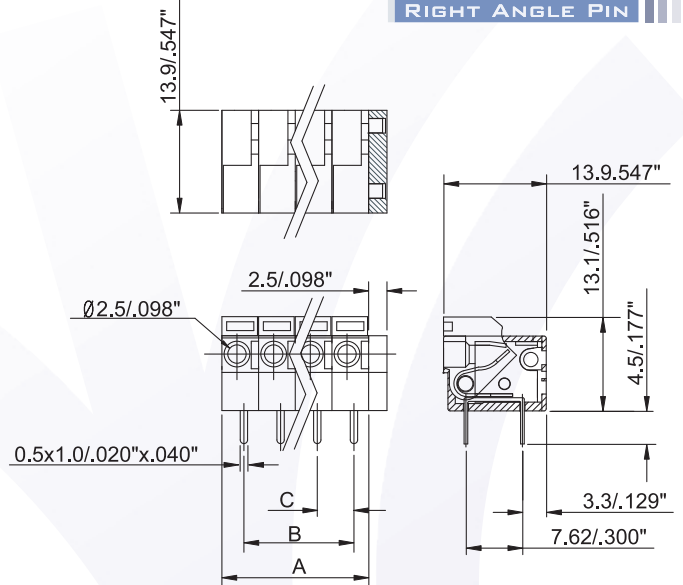
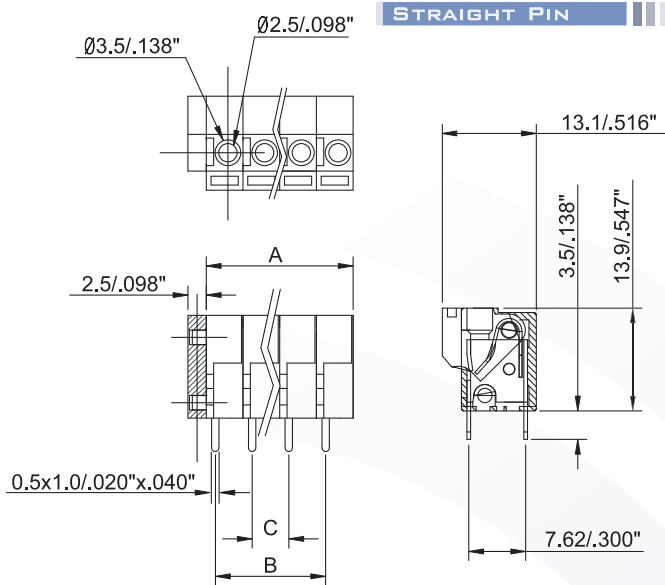
- **Contact 觸點(metal housing 金屬殼體):**
Brass, Tin plated / 黃銅 · 銅錫電鍍
- **Contact Spring 觸點彈簧:**
Stainless strip steel / 不鏽鋼片
- **Surface of Solder Tail 針腳電鍍:**
Tin plated / 鍍錫
- **Insulator Body 絕緣體(housing 殼體)**
Poly Butylene Terephthlene, PBT (30% Glass filled) (UL 94 V-0)

ELECTRICAL 電機方面

- **Current Rating 工作電流:** 16 Amp
- **Dielectric Strength 電介質:** 2500V
- **Rated Voltage 額定電壓:** 250V
- **AWG 適用線號:** 22 - 14
- **Resistance to Tracking 絕緣阻值:** 5MΩ
- **Insulation Withstands Voltage 耐電壓:** AC1500V/Min
- **Stripping Length 剝線長度:** 8.5mm

MECHANICAL 機械方面

- **Operating Temperature 工作溫度:** -30°C to +120°C
- **Short Time Peak Temperature 短暫容溫度:** +200°C max



PITCH	Dimension A	Dimension B	Dimension C
5mm	n x 5	(n - 1) x 5	5
10mm	n x 10	(n - 1) x 10	10
7.5mm	n x 7.5	(n - 1) x 7.5	7.5
5.08mm	n x 5.08	(n - 1) x 5.08	5.08
10.16mm	n x 10.16	(n - 1) x 10.16	10.16

**** Notice:**
To avoid accumulating tolerance-variations of Terminal Blocks, limit the number of contacts to no more than 24 contacts per row
** 為防止累積公差過大，接線端子座建議每排不超過24位

Recommended PC-Board-Holes
diameter : Ø1.2mm to Ø1.4mm
n = number of contacts
建議底孔直徑 : Ø1.2mm 至 Ø1.4mm
n = 觸點的數量

HOW TO ORDER 排序整理

