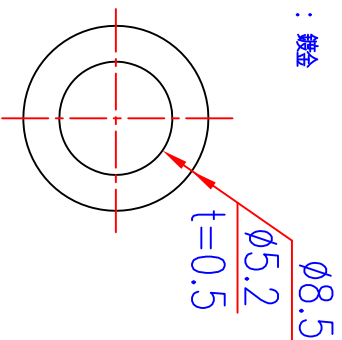
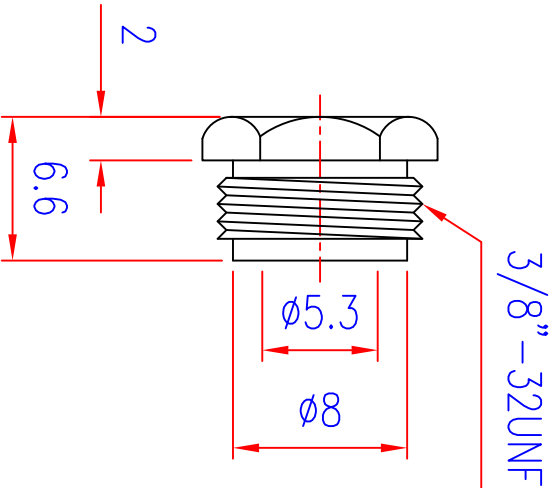
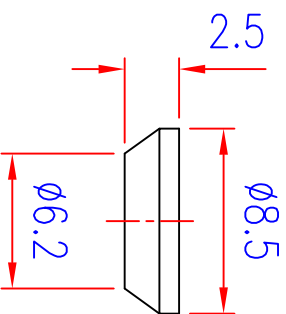


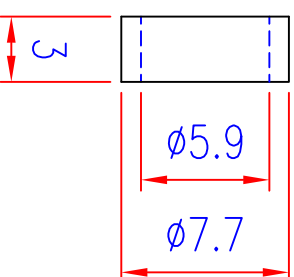
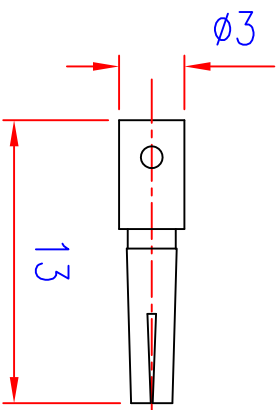
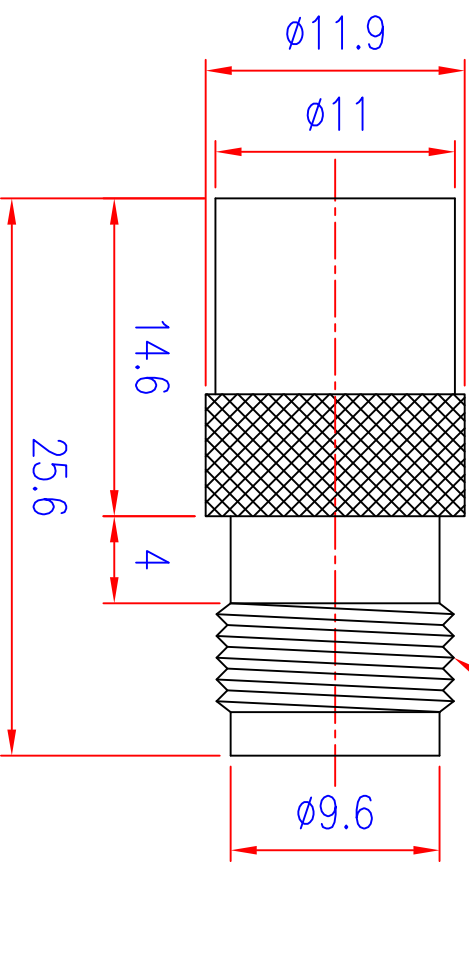
SPECIFICATION
 TNC FEMALE CONNECTOR
 CLAMP TYPE , RG58, NICKEL PLATED
 TNC 母, CLAMP TYPE , RG58, 本體: 鍍鎳,
 PIN : 鍍金
 RG58/U, TNC FEMALE CLAMP
 符合 RoHS 環保材質



WASHER



GASKET



UNLESS OTHERWISE SPECIFIED
 GENERAL TOLERANCES
 0.5~6 = ±0.2
 >6~30 = ±0.4
 >30~120 = ±0.6

NO.	DESCRIPTION	QTY	MATERIAL	SPECIFICATION	REMARK
DRAW BY	CHUN	042409	1 : 3	PROJ	ITEM NO. TL4536-58-BDNG
DEGN BY	YANG		MM		TITLE TNC CONNECTOR
APPD BY	RAY				

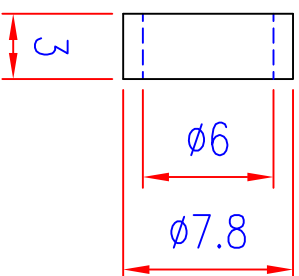
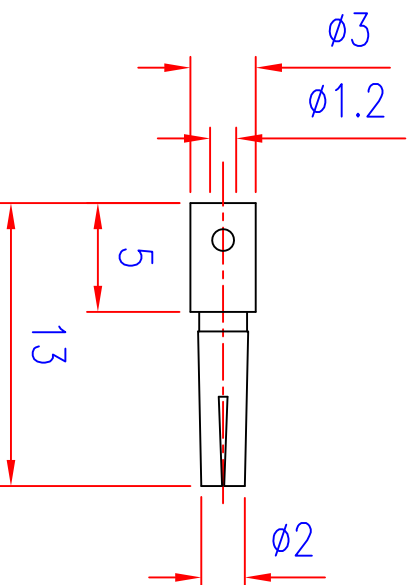
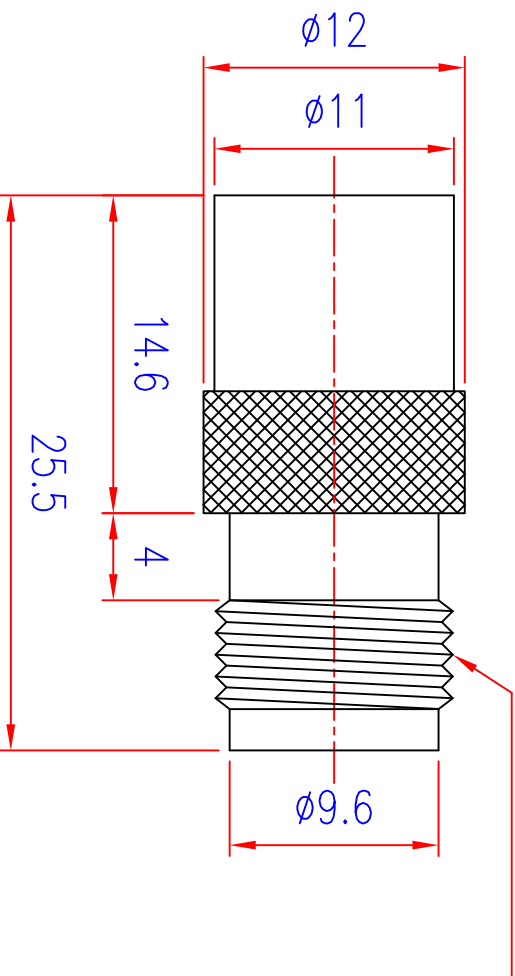
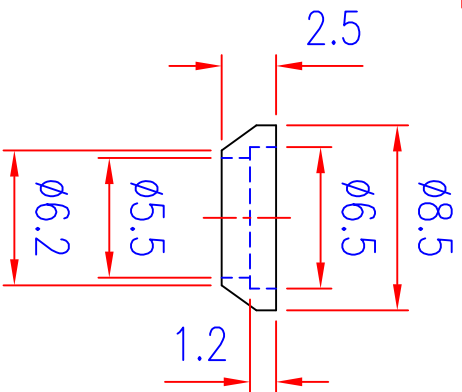
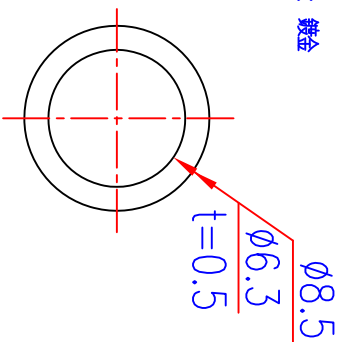
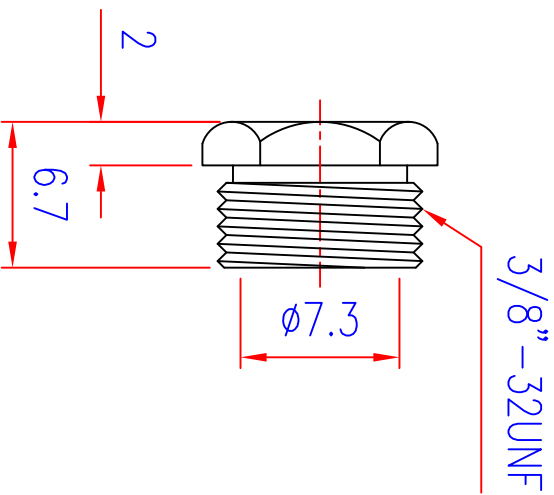
同利企業有限公司

TELE LONG ENTERPRISE CO.,LTD

DATE	DRAWNG BY	REVISED
------	-----------	---------

DWG NO.	TL4536-58-BDNG-TNS61-A2
---------	-------------------------

SPECIFICATION
 TNC FEMALE CONNECTOR
 CLAMP TYPE , RG6, NICKEL PLATED
 TNC 母, CLAMP TYPE , RG6, 本體: 鍍鎳, PIN : 鍍金
 符合 RoHS 環保材質



UNLESS OTHERWISE SPECIFIED
 GENERAL TOLERANCES
 0.5~6 = ±0.2
 >6~30 = ±0.4
 >30~120 = ±0.6

NO.	DESCRIPTION	QTY	MATERIAL	SPECIFICATION	REMARK
DRAW BY	CHUN	120109	SCALE	1 : 3	ITEM NO. TL4536-6-BDNG
DEGN BY	YANG			PROJ	TNC CONNECTOR
APPD BY	RAY		UNIT	MM	

DATE	DRAWNG BY	REVISED	同利企業有限公司	TELE LONG ENTERPRISE CO.,LTD	DWG NO.	TL4536-6-BDNG-TNS61-A1
------	-----------	---------	----------	------------------------------	---------	------------------------