

# Series 325

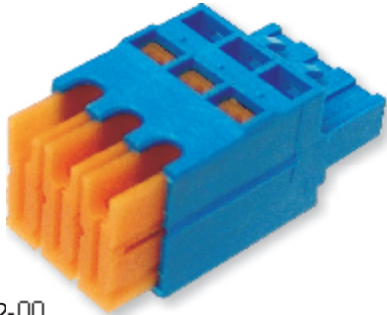
## SPECIFICATIONS

技術資料

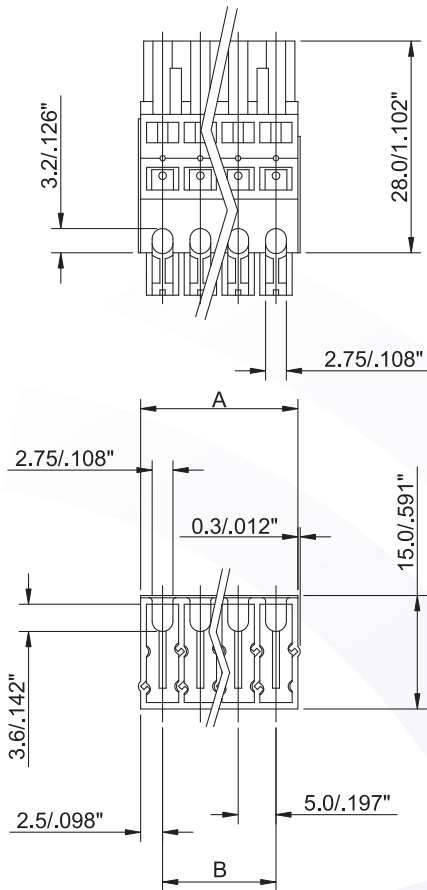
### Terminal Blocks for PC-Boards Pluggable with Header Terminal Blocks (325系列)

印刷線路板用接線端子座 - 對插式端子座

Screwless, IDC Type, Mates with Series 327,  
Spacing 5.0mm or 10.0mm,  
與327系列配合使用 · 間距5.0mm或10.0mm



325-031-12-00



### MATERIAL 材料

- **Contact 觸點(metal housing 金屬殼體):**  
Brass, Tin plated / 黃銅 · 銅錫電鍍
- **Contact Spring 解點彈簧:**  
Stainless Strip Steel / 不鏽鋼片
- **Insulator Body 絕緣體(housing 殼體)**  
Polyamide PA66 (UL 94 V-0) / 尼龍PA66 (UL 94 V-0)

### ELECTRICAL 電機方面

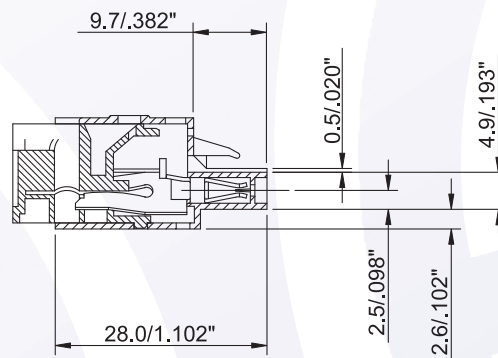
- **Current Rating 工作電流:** 12 Amp
- **Dielectric Strength 電介質:** 2500V
- **Rated Voltage 額定電壓:** 300V
- **AWG 適用線號:** 24 -18
- **Resistance to Tracking 絕緣阻值:** 5MΩ
- **Insulation Withstands Voltage 耐電壓:** AC1500V/Min
- **Conductor Size 適用線徑範圍:** 0.2 - 0.8mm<sup>2</sup>

### MECHANICAL 機械方面

- **Operating Temperature 工作溫度:** -40°C to +105°C
- **Short Time Peak Temperature 短暫能容溫度:** +200°C max

\* n = number of contacts

PITCH	Dimension A	Dimension B
5mm	n x 5	(n - 1) x 5
10mm	n x 10	(n - 1) x 10



### HOW TO ORDER 排序整理

