

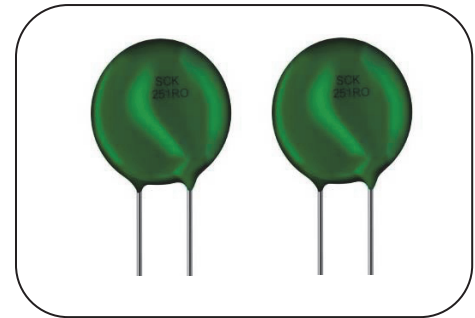
# NTC Thermistor : SCK Series



## Power Thermistor for Limiting Inrush Current

### ■ Features

1. RoHS & Halogen Free (HF) compliant
2. Body size:  $\Phi 5\text{mm} \sim \Phi 30\text{mm}$
3. Radial lead resin coated
4. High power rating
5. Wide resistance range
6. Cost effective
7. Operating temperature range:  
 $\Phi 5\text{mm}$ :  $-40^{\circ}\text{C} \sim +150^{\circ}\text{C}$   
 $\Phi 8 \sim \Phi 10\text{mm}$ :  $-40^{\circ}\text{C} \sim +170^{\circ}\text{C}$   
 $\Phi 13\text{mm} \sim \Phi 30\text{mm}$ :  $-40^{\circ}\text{C} \sim +200^{\circ}\text{C}$
8. Agency recognition: UL / cUL / TUV / CSA / CQC



### ■ Recommended Applications

1. Switch mode power supply
2. Electric motor
3. Transformer
4. Adapter
5. Projector
6. Halogen lamp
7. LED driver circuit

### ■ Part Number Code

- $\Phi 5\text{mm} \sim \Phi 15\text{mm}$

|              |                                    |           |                    |  |              |                                  |      |                              |            |            |               |                 |                     |    |    |
|--------------|------------------------------------|-----------|--------------------|--|--------------|----------------------------------|------|------------------------------|------------|------------|---------------|-----------------|---------------------|----|----|
| 1            | 2                                  | 3         | 4                  | 5  | 6            | 7                                | 8    | 9                            | 10         | 11         | 12            | 13              | 14                  | 15 | 16 |
| Product Type |                                    | Body Size |                    | Zero Power Resistance at 25°C (R <sub>25</sub> ) |              | Max Steady State Current at 25°C |      | Tolerance of R <sub>25</sub> |            | Appearance |               | Optional Suffix |                     |    |    |
| SCK          | THINKING NTC Thermistor SCK Series | 05        | $\Phi 5\text{mm}$  | 0R5  | 0.5 $\Omega$ | X3                               | 0.3A | L                            | $\pm 15\%$ | S          | Straight lead | Y               | RoHS & HF Compliant |    |    |
|              |                                    | 08        | $\Phi 8\text{mm}$  | 2R5  | 2.5 $\Omega$ | 2X                               | 2.5A | M                            | $\pm 20\%$ | F          | Y kink lead   |                 |                     |    |    |
|              |                                    | 10        | $\Phi 10\text{mm}$ | 08   | 8 $\Omega$   | 8                                | 8A   | N                            | $\pm 25\%$ | T          | L kink lead   |                 |                     |    |    |
|              |                                    | 13        | $\Phi 13\text{mm}$ | 20   | 20 $\Omega$  | 10                               | 10A  |                              |            |            |               |                 |                     |    |    |
|              |                                    | 15        | $\Phi 15\text{mm}$ | 120  | 120 $\Omega$ |                                  |      |                              |            |            |               |                 |                     |    |    |

- $\Phi 20\text{mm} \sim \Phi 30\text{mm}$

|              |                                    |           |                    |  |                  |                              |            |            |               |           |      |                 |   |    |
|--------------|------------------------------------|-----------|--------------------|--|------------------|------------------------------|------------|------------|---------------|-----------|------|-----------------|---|----|
| 1            | 2                                  | 3         | 4                  | 5  | 6                | 7                            | 8          | 9          | 10            | 11        | 12   | 13              | 14  | 15 |
| Product Type |                                    | Body Size |                    | Zero Power Resistance at 25°C (R <sub>25</sub> ) |                  | Tolerance of R <sub>25</sub> |            | Appearance |               | Packaging |      | Optional Suffix |   |    |
| SCK          | THINKING NTC Thermistor SCK Series | 20        | $\Phi 20\text{mm}$ | $R_{25} < 10\Omega$                              | 0R7:0.7 $\Omega$ | L                            | $\pm 15\%$ | S          | Straight lead | B         | Bulk | Y               | RoHS & HF Compliant (For SCK05 ~ SCK20 use)   |    |
|              |                                    | 25        | $\Phi 25\text{mm}$ | $R_{25} \geq 10\Omega$                           | 2R5:2.5 $\Omega$ | M                            | $\pm 20\%$ | F          | Y kink lead   |           |      | H               | RoHS & HF Compliant (For SCK25 and SCK30 use) |    |
|              |                                    | 30        | $\Phi 30\text{mm}$ |  | 100:10 $\Omega$  | N                            | $\pm 25\%$ | T          | L kink lead   |           |      |                 |   |    |
|              |                                    |           |                    |  | 470:47 $\Omega$  |                              |            |            |               |           |      |                 |   |    |
|              |                                    |           |                    |  | 471:470 $\Omega$ |                              |            |            |               |           |      |                 |   |    |

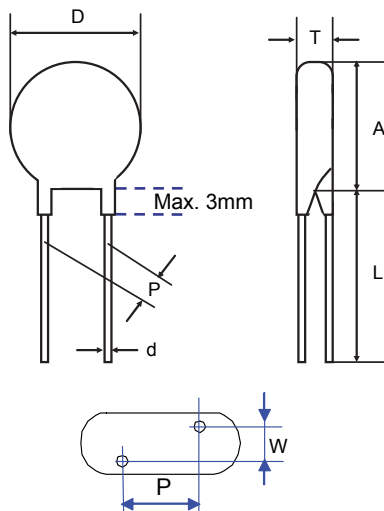
# NTC Thermistor : SCK Series

## Power Thermistor for Limiting Inrush Current



### ■ Structure and Dimensions

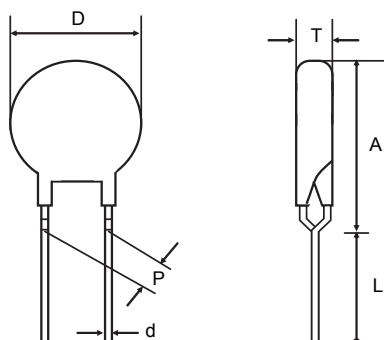
#### S Type (Straight Lead)



(Unit: mm)

| Series | Dmax. | P.      | d        | Amax. | Lmin. | Tmax. | W       |
|--------|-------|---------|----------|-------|-------|-------|---------|
| SCK05  | 6.5   | 4±0.5   | 0.8±0.02 | 6.5   | 31    | 5     | 1.9±0.2 |
| SCK08  | 9.5   | 5±0.5   | 0.8±0.02 | 9.5   | 31    | 5     | 2.1±0.3 |
| SCK10  | 11.5  | 5±0.5   | 0.8±0.02 | 11.5  | 31    | 5     | 2.1±0.3 |
| SCK13  | 14.5  | 7.5±0.5 | 0.8±0.02 | 14.5  | 30    | 6     | 2.3±0.3 |
| SCK15  | 16.5  | 7.5±0.5 | 1.0±0.02 | 16.5  | 29    | 6     | 2.5±0.3 |
| SCK20  | 21.5  | 7.5±0.5 | 1.0±0.02 | 21.5  | 26    | 6     | 2.6±0.3 |
| SCK25  | 29    | 7.5±1   | 1.0±0.02 | 29.0  | 25    | 6     | 3.1±0.5 |
| SCK30  | 36    | 7.5±1   | 1.0±0.02 | 36.0  | 23    | 6     | 3.1±0.5 |

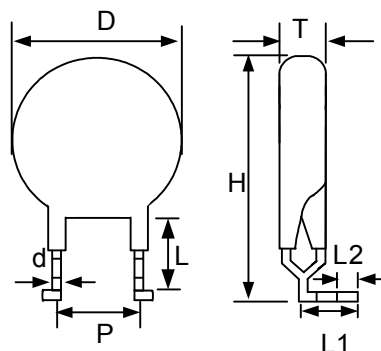
#### F Type (Y Kink Lead)



(Unit: mm)

| Series | Dmax. | P       | d        | Amax. | Lmin. | Tmax. |
|--------|-------|---------|----------|-------|-------|-------|
| SCK05  | 6.5   | 4±0.5   | 0.8±0.02 | 11.0  | 29    | 5     |
| SCK08  | 9.5   | 5±0.5   | 0.8±0.02 | 13.0  | 29    | 5     |
| SCK10  | 11.5  | 5±0.5   | 0.8±0.02 | 15.0  | 29    | 5     |
| SCK13  | 14.5  | 7.5±0.5 | 0.8±0.02 | 17.5  | 27    | 6     |
| SCK15  | 16.5  | 7.5±0.5 | 1±0.02   | 19.0  | 26    | 6     |
| SCK20  | 21.5  | 7.5±0.5 | 1±0.02   | 24.5  | 25    | 6     |
| SCK25  | 29    | 7.5±1   | 1±0.02   | 35.0  | 22    | 6     |
| SCK30  | 36    | 7.5±1   | 1±0.02   | 42.0  | 22    | 6     |

#### T Type (Y Kink 90° Bend and Outer Kink Lead)



(Unit: mm)

| Series | Dmax. | P       | d        | Tmax. | L       | Hmax. | L1      | L2      |
|--------|-------|---------|----------|-------|---------|-------|---------|---------|
| SCK08  | 9.5   | 5±0.5   | 0.8±0.02 | 5     | 5.0±0.5 | 15    | 7.8±1.0 | 3.5±0.5 |
| SCK10  | 11.5  | 5±0.5   | 0.8±0.02 | 5     | 5.0±0.5 | 17    | 7.8±1.0 | 3.5±0.5 |
| SCK13  | 14.5  | 7.5±0.5 | 0.8±0.02 | 6     | 5.0±0.5 | 19    | 7.8±1.0 | 3.5±0.5 |
| SCK15  | 16.5  | 7.5±0.5 | 1.0±0.02 | 6     | 4.5±0.5 | 21    | 9.0±1.0 | 3.5±0.5 |
| SCK20  | 21.5  | 7.5±0.5 | 1.0±0.02 | 6     | 4.5±0.5 | 26    | 9.0±1.0 | 3.5±0.5 |

# NTC Thermistor : SCK Series

## Power Thermistor for Limiting Inrush Current



### ■ Electrical Characteristics

| Part No.    | Zero Power Resistance at 25°C | Max. Current at 25°C | Residual Resistance at 25°C I <sub>max</sub> | Recommend Capacitance @240Vac | Max. Power Rating at 25°C | Dissipation Factor | Thermal Time Constant | Operating Temperature Range         |
|-------------|-------------------------------|----------------------|--|-------------------------------|---------------------------|--------------------|-----------------------|-------------------------------------|
|             | R <sub>25</sub> (Ω)           | I <sub>max</sub> (A) | R <sub>I<sub>max</sub></sub> (Ω)             | C <sub>th</sub> (μF)          | P <sub>max</sub> (W)      | δ(mW/°C)           | τ (Sec.)              | T <sub>L</sub> ~T <sub>U</sub> (°C) |
| SCK05052□   | 5                             | 2                    | 0.429  | 100                           | 1.8                       | Approx. 15         | Approx. 17            | -40 ~ +150                          |
| SCK05081□   | 8                             | 1                    | 1.089  | 68                            |                           |                    |                       |                                     |
| SCK05101□   | 10                            | 1                    | 1.126  | 100                           |                           |                    |                       |                                     |
| SCK05121□   | 12                            | 1                    | 1.184  | 68                            |                           |                    |                       |                                     |
| SCK0520X3□  | 20                            | 0.3                  | 5.560  | 100                           |                           |                    |                       |                                     |
| SCK08042□   | 4                             | 2                    | 0.441  | 220                           | 2.3                       | Approx. 16         | Approx. 38            | -40 ~ +170                          |
| SCK084R72□  | 4.7                           | 2                    | 0.445  | 220                           |                           |                    |                       |                                     |
| SCK08053□   | 5                             | 3                    | 0.261  | 220                           |                           |                    |                       |                                     |
| SCK08063□   | 6                             | 3                    | 0.283  | 220                           |                           |                    |                       |                                     |
| SCK08073□   | 7                             | 3                    | 0.287  | 220                           |                           |                    |                       |                                     |
| SCK08082□   | 8                             | 2                    | 0.520  | 220                           |                           |                    |                       |                                     |
| SCK08102□   | 10                            | 2                    | 0.542  | 220                           |                           |                    |                       |                                     |
| SCK08152□   | 15                            | 2                    | 0.548  | 100                           |                           |                    |                       |                                     |
| SCK08201□   | 20                            | 1                    | 1.544  | 100                           |                           |                    |                       |                                     |
| SCK0830X□   | 30                            | 0.5                  | 4.094  | 100                           |                           |                    |                       |                                     |
| SCK10015□   | 1                             | 5                    | 0.091  | 470                           |                           |                    |                       |                                     |
| SCK101R35□  | 1.3                           | 5                    | 0.095  | 330                           |                           |                    |                       |                                     |
| SCK101R55□  | 1.5                           | 5                    | 0.101  | 330                           |                           |                    |                       |                                     |
| SCK102R55A□ | 2.5                           | 5                    | 0.120  | 470                           |                           |                    |                       |                                     |
| SCK10035□   | 3                             | 5                    | 0.127  | 560                           |                           |                    |                       |                                     |
| SCK10044□   | 4                             | 4                    | 0.161  | 560                           |                           |                    |                       |                                     |
| SCK10054□   | 5                             | 4                    | 0.180  | 470                           |                           |                    |                       |                                     |
| SCK106R83□  | 6.8                           | 3                    | 0.270  | 330                           |                           |                    |                       |                                     |
| SCK10083□   | 8                             | 3                    | 0.278  | 330                           |                           |                    |                       |                                     |
| SCK10103□   | 10                            | 3                    | 0.297  | 330                           |                           |                    |                       |                                     |
| SCK10123□   | 12                            | 3                    | 0.301  | 470                           |                           |                    |                       |                                     |
| SCK10133□   | 13                            | 3                    | 0.356  | 330                           |                           |                    |                       |                                     |
| SCK10152X□  | 15                            | 2.5                  | 0.442  | 330                           |                           |                    |                       |                                     |
| SCK10162X□  | 16                            | 2.5                  | 0.471  | 330                           |                           |                    |                       |                                     |
| SCK10202□   | 20                            | 2                    | 0.646  | 330                           |                           |                    |                       |                                     |
| SCK10222□   | 22                            | 2                    | 0.659  | 220                           |                           |                    |                       |                                     |
| SCK10252□   | 25                            | 2                    | 0.674  | 330                           |                           |                    |                       |                                     |
| SCK10302□   | 30                            | 2                    | 0.700  | 330                           |                           |                    |                       |                                     |
| SCK10472□   | 47                            | 2                    | 0.720  | 330                           |                           |                    |                       |                                     |
| SCK10502□   | 50                            | 2                    | 0.813  | 330                           |                           |                    |                       |                                     |
| SCK10801□   | 80                            | 1                    | 2.236  | 220                           |                           |                    |                       |                                     |
| SCK101001□  | 100                           | 1                    | 2.318  | 200                           |                           |                    |                       |                                     |
| SCK101201□  | 120                           | 1                    | 2.406  | 200                           |                           |                    |                       |                                     |

Note 1: □ = Tolerance of R<sub>25</sub>

Note 2: Special specifications are available upon request.

# NTC Thermistor : SCK Series

## Power Thermistor for Limiting Inrush Current



### ■ Electrical Characteristics

| Part No.    | Zero Power Resistance at 25°C | Max. Current at 25°C | Residual Resistance at 25°C I <sub>max</sub> | Recommend Capacitance @240Vac | Max. Power Rating at 25°C | Dissipation Factor | Thermal Time Constant | Operating Temperature Range         |
|-------------|-------------------------------|----------------------|--|-------------------------------|---------------------------|--------------------|-----------------------|-------------------------------------|
|             | R <sub>25</sub> (Ω)           | I <sub>max</sub> (A) | R <sub>I<sub>max</sub></sub> (Ω)             | C <sub>th</sub> (μF)          | P <sub>max</sub> (W)      | δ(mW/°C)           | τ (Sec.)              | T <sub>L</sub> ~T <sub>U</sub> (°C) |
| SCK13013□   | 1                             | 3                    | 0.174  | 560                           | 3.1                       | Approx. 18         | Approx. 66            | -40 ~ +200                          |
| SCK131R37□  | 1.3                           | 7                    | 0.070  | 470                           |                           |                    |                       |                                     |
| SCK132R56□  | 2.5                           | 6                    | 0.094  | 560                           |                           |                    |                       |                                     |
| SCK13045□   | 4                             | 5                    | 0.132  | 560                           |                           |                    |                       |                                     |
| SCK134R74□  | 4.7                           | 4                    | 0.168  | 560                           |                           |                    |                       |                                     |
| SCK13055□   | 5                             | 5                    | 0.166  | 560                           |                           |                    |                       |                                     |
| SCK13074□   | 7                             | 4                    | 0.184  | 470                           |                           |                    |                       |                                     |
| SCK13084□   | 8                             | 4                    | 0.206  | 470                           |                           |                    |                       |                                     |
| SCK13104□   | 10                            | 4                    | 0.217  | 470                           |                           |                    |                       |                                     |
| SCK13124□   | 12                            | 4                    | 0.230  | 560                           |                           |                    |                       |                                     |
| SCK13153□   | 15                            | 3                    | 0.343  | 560                           |                           |                    |                       |                                     |
| SCK13163□   | 16                            | 3                    | 0.348  | 560                           |                           |                    |                       |                                     |
| SCK13183□   | 18                            | 3                    | 0.365  | 560                           |                           |                    |                       |                                     |
| SCK13203□   | 20                            | 3                    | 0.410  | 470                           |                           |                    |                       |                                     |
| SCK150R78A□ | 0.7                           | 8                    | 0.051  | 680                           | 3.6                       | Approx. 21         | Approx. 75            | -40 ~ +200                          |
| SCK15018□   | 1                             | 8                    | 0.054  | 680                           |                           |                    |                       |                                     |
| SCK151R38□  | 1.3                           | 8                    | 0.064  | 680                           |                           |                    |                       |                                     |
| SCK151R58□  | 1.5                           | 8                    | 0.068  | 800                           |                           |                    |                       |                                     |
| SCK15028□   | 2                             | 8                    | 0.078  | 680                           |                           |                    |                       |                                     |
| SCK152R58□  | 2.5                           | 8                    | 0.086  | 680                           |                           |                    |                       |                                     |
| SCK15037□   | 3                             | 7                    | 0.091  | 820                           |                           |                    |                       |                                     |
| SCK15046□   | 4                             | 6                    | 0.117  | 800                           |                           |                    |                       |                                     |
| SCK15056□   | 5                             | 6                    | 0.121  | 820                           |                           |                    |                       |                                     |
| SCK15065□   | 6                             | 5                    | 0.159  | 680                           |                           |                    |                       |                                     |
| SCK15075□   | 7                             | 5                    | 0.161  | 820                           |                           |                    |                       |                                     |
| SCK15085□   | 8                             | 5                    | 0.165  | 680                           |                           |                    |                       |                                     |
| SCK15105□   | 10                            | 5                    | 0.178  | 820                           |                           |                    |                       |                                     |
| SCK15125□   | 12                            | 5                    | 0.185  | 680                           |                           |                    |                       |                                     |
| SCK15154□   | 15                            | 4                    | 0.261  | 820                           |                           |                    |                       |                                     |
| SCK15164□   | 16                            | 4                    | 0.265  | 820                           |                           |                    |                       |                                     |
| SCK15184□   | 18                            | 4                    | 0.273  | 680                           |                           |                    |                       |                                     |
| SCK15204□   | 20                            | 4                    | 0.283  | 820                           |                           |                    |                       |                                     |
| SCK15224□   | 22                            | 4                    | 0.308  | 560                           |                           |                    |                       |                                     |
| SCK15253□   | 25                            | 3                    | 0.425  | 680                           |                           |                    |                       |                                     |
| SCK15303□   | 30                            | 3                    | 0.461  | 680                           |                           |                    |                       |                                     |
| SCK15333□   | 33                            | 3                    | 0.484  | 560                           |                           |                    |                       |                                     |
| SCK15403□   | 40                            | 3                    | 0.511  | 680                           |                           |                    |                       |                                     |
| SCK15473□   | 47                            | 3                    | 0.517  | 680                           |                           |                    |                       |                                     |
| SCK15802X□  | 80                            | 2.5                  | 0.693  | 560                           |                           |                    |                       |                                     |
| SCK151202□  | 120                           | 2                    | 1.010  | 560                           |                           |                    |                       |                                     |

Note 1: □ = Tolerance of R<sub>25</sub>

Note 2: Special specifications are available upon request.

# NTC Thermistor : SCK Series

## Power Thermistor for Limiting Inrush Current



### ■ Electrical Characteristics

| Part No.  | Zero Power Resistance at 25°C | Max. Current at 25°C | Residual Resistance at 25°C I <sub>max</sub> | Recommend Capacitance @240Vac | Max. Power Rating at 25°C | Dissipation Factor | Thermal Time Constant | Operating Temperature Range         |
|-----------|-------------------------------|----------------------|--|-------------------------------|---------------------------|--------------------|-----------------------|-------------------------------------|
|           | R <sub>25</sub> (Ω)           | I <sub>max</sub> (A) | R <sub>I<sub>max</sub></sub> (Ω)             | C <sub>th</sub> (μF)          | P <sub>max</sub> (W)      | δ(mW/°C)           | τ (Sec.)              | T <sub>L</sub> ~T <sub>U</sub> (°C) |
| SCK200R7□ | 0.7                           | 15                   | 0.035  | 1000                          | 4.9                       | Approx. 28         | Approx. 113           | -40 ~ +200                          |
| SCK201R0□ | 1                             | 13                   | 0.034  |                               |                           |                    |                       |                                     |
| SCK201R5□ | 1.5                           | 10.5                 | 0.041  |                               |                           |                    |                       |                                     |
| SCK202R0□ | 2                             | 10                   | 0.062  |                               |                           |                    |                       |                                     |
| SCK202R5□ | 2.5                           | 9                    | 0.083  |                               |                           |                    |                       |                                     |
| SCK203R0□ | 3                             | 8.5                  | 0.078  |                               |                           |                    |                       |                                     |
| SCK204R0□ | 4                             | 8                    | 0.080  |                               |                           |                    |                       |                                     |
| SCK204R7□ | 4.7                           | 7.5                  | 0.114  |                               |                           |                    |                       |                                     |
| SCK205R0□ | 5                             | 7.5                  | 0.118  |                               |                           |                    |                       |                                     |
| SCK206R0□ | 6                             | 7                    | 0.120  |                               |                           |                    |                       |                                     |
| SCK206R8□ | 6.8                           | 6.5                  | 0.130  |                               |                           |                    |                       |                                     |
| SCK207R0□ | 7                             | 6.5                  | 0.132  |                               |                           |                    |                       |                                     |
| SCK208R0□ | 8                             | 6                    | 0.161  |                               |                           |                    |                       |                                     |
| SCK20100□ | 10                            | 5.5                  | 0.196  |                               |                           |                    |                       |                                     |
| SCK20120□ | 12                            | 5                    | 0.197  |                               |                           |                    |                       |                                     |
| SCK20130□ | 13                            | 5                    | 0.213  |                               |                           |                    |                       |                                     |
| SCK20150□ | 15                            | 4.5                  | 0.258  |                               |                           |                    |                       |                                     |
| SCK20160□ | 16                            | 4.5                  | 0.276  |                               |                           |                    |                       |                                     |
| SCK20180□ | 18                            | 4                    | 0.280  |                               |                           |                    |                       |                                     |
| SCK20200□ | 20                            | 4                    | 0.306  |                               |                           |                    |                       |                                     |
| SCK251R0□ | 1                             | 20                   | 0.020  | 1200                          | 7.0                       | Approx. 30         | Approx. 130           | -40 ~ +200                          |
| SCK251R5□ | 1.5                           | 18.5                 | 0.023  |                               |                           |                    |                       |                                     |
| SCK252R0□ | 2                             | 18                   | 0.025  |                               |                           |                    |                       |                                     |
| SCK252R5□ | 2.5                           | 15                   | 0.032  |                               |                           |                    |                       |                                     |
| SCK253R0□ | 3                             | 14.5                 | 0.042  |                               |                           |                    |                       |                                     |
| SCK254R0□ | 4                             | 14                   | 0.044  |                               |                           |                    |                       |                                     |
| SCK254R7□ | 4.7                           | 13                   | 0.052  |                               |                           |                    |                       |                                     |
| SCK255R0□ | 5                             | 12                   | 0.061  |                               |                           |                    |                       |                                     |
| SCK256R8□ | 6.8                           | 10.5                 | 0.082  |                               |                           |                    |                       |                                     |
| SCK257R0□ | 7                             | 10                   | 0.092  |                               |                           |                    |                       |                                     |
| SCK258R0□ | 8                             | 9                    | 0.115  |                               |                           |                    |                       |                                     |
| SCK25100□ | 10                            | 8                    | 0.141  |                               |                           |                    |                       |                                     |
| SCK25120□ | 12                            | 7.5                  | 0.164  |                               |                           |                    |                       |                                     |
| SCK25150□ | 15                            | 6.5                  | 0.210  |                               |                           |                    |                       |                                     |
| SCK25180□ | 18                            | 5.5                  | 0.231  |                               |                           |                    |                       |                                     |
| SCK25200□ | 20                            | 5                    | 0.270  |                               |                           |                    |                       |                                     |

Note 1: □ = Tolerance of R<sub>25</sub>

Note 2: Special specifications are available upon request.

# NTC Thermistor : SCK Series



## Power Thermistor for Limiting Inrush Current

### ■ Electrical Characteristics

| Part No.  | Zero Power Resistance at 25°C | Max. Current at 25°C | Residual Resistance at 25°C I <sub>max</sub> | Recommend Capacitance @240Vac | Max. Power Rating at 25°C | Dissipation Factor | Thermal Time Constant | Operating Temperature Range         |
|-----------|-------------------------------|----------------------|--|-------------------------------|---------------------------|--------------------|-----------------------|-------------------------------------|
|           | R <sub>25</sub> (Ω)           | I <sub>max</sub> (A) | R <sub>I<sub>max</sub></sub> (Ω)             | C <sub>th</sub> (μF)          | P <sub>max</sub> (W)      | δ(mW/°C)           | τ (Sec.)              | T <sub>L</sub> ~T <sub>U</sub> (°C) |
| SCK301R0□ | 1                             | 30                   | 0.016  | 1500                          | 8.0                       | Approx. 40         | Approx. 190           | -40 ~ +200                          |
| SCK301R5□ | 1.5                           | 25                   | 0.020  |                               |                           |                    |                       |                                     |
| SCK302R0□ | 2                             | 23                   | 0.022  |                               |                           |                    |                       |                                     |
| SCK302R5□ | 2.5                           | 18                   | 0.030  |                               |                           |                    |                       |                                     |
| SCK303R0□ | 3                             | 17                   | 0.035  |                               |                           |                    |                       |                                     |
| SCK304R0□ | 4                             | 16                   | 0.048  |                               |                           |                    |                       |                                     |
| SCK304R7□ | 4.7                           | 15                   | 0.055  |                               |                           |                    |                       |                                     |
| SCK305R0□ | 5                             | 14                   | 0.057  |                               |                           |                    |                       |                                     |
| SCK306R8□ | 6.8                           | 12                   | 0.077  |                               |                           |                    |                       |                                     |
| SCK307R0□ | 7                             | 11.5                 | 0.084  |                               |                           |                    |                       |                                     |
| SCK308R0□ | 8                             | 10.5                 | 0.100  |                               |                           |                    |                       |                                     |
| SCK30100□ | 10                            | 10                   | 0.115  |                               |                           |                    |                       |                                     |
| SCK30120□ | 12                            | 9                    | 0.142  |                               |                           |                    |                       |                                     |
| SCK30150□ | 15                            | 8                    | 0.175  |                               |                           |                    |                       |                                     |
| SCK30180□ | 18                            | 7                    | 0.210  |                               |                           |                    |                       |                                     |
| SCK30200□ | 20                            | 6                    | 0.233  |                               |                           |                    |                       |                                     |

Note 1: □ = Tolerance of R<sub>25</sub>

Note 2: Special specifications are available upon request.

# NTC Thermistor : SCK Series

## Power Thermistor for Limiting Inrush Current



### ■ Safety Approvals

- UL&cUL File No: E138827
- CSA File No: 97495
- TUV File No: R 50050155
- CQC File No:CQC05001011984,993,985,942,943,944, CQC05001011988,989,990,963,964,965

| Body Size | Certified Model No. | Safety Approvals |     |     |     |     |
|-----------|---------------------|------------------|-----|-----|-----|-----|
|           |                     | UL               | cUL | CSA | TUV | CQC |
| 5mm       | SCK-052             | √                | √   | √   | √   | √   |
|           | SCK-081             | √                | √   |     | √   | √   |
|           | SCK-101             | √                | √   | √   | √   | √   |
|           | SCK-121             | √                | √   |     | √   | √   |
|           | SCK-20X3            | √                | √   | √   | √   | √   |
| 8mm       | SCK-042             | √                | √   | √   | √   | √   |
|           | SCK-4R72            | √                | √   | √   | √   | √   |
|           | SCK-053             | √                | √   | √   | √   | √   |
|           | SCK-063             | √                | √   | √   | √   | √   |
|           | SCK-073             | √                | √   |     | √   | √   |
|           | SCK-082             | √                | √   | √   | √   | √   |
|           | SCK-102             | √                | √   | √   | √   | √   |
|           | SCK-152             | √                | √   | √   | √   | √   |
|           | SCK-201             | √                | √   | √   | √   | √   |
|           | SCK-30X             | √                | √   | √   | √   | √   |
| 10mm      | SCK-015             | √                | √   |     | √   | √   |
|           | SCK-1R35            | √                | √   |     | √   | √   |
|           | SCK-1R55            | √                | √   |     | √   | √   |
|           | SCK-2R55A           | √                | √   | √   | √   | √   |
|           | SCK-035             | √                | √   | √   | √   | √   |
|           | SCK-044             | √                | √   | √   | √   | √   |
|           | SCK-054             | √                | √   | √   | √   | √   |
|           | SCK-6R83            | √                | √   | √   | √   | √   |
|           | SCK-083             | √                | √   | √   | √   | √   |
|           | SCK-103             | √                | √   | √   | √   | √   |
|           | SCK-123             | √                | √   | √   | √   | √   |
|           | SCK-133             | √                | √   | √   | √   | √   |
|           | SCK-152X            | √                | √   | √   | √   | √   |
|           | SCK-162X            | √                | √   | √   | √   | √   |
|           | SCK-202             | √                | √   | √   | √   | √   |
|           | SCK-222             | √                | √   |     | √   | √   |
|           | SCK-252             | √                | √   | √   | √   | √   |
|           | SCK-302             | √                | √   | √   | √   | √   |
|           | SCK-472             | √                | √   | √   | √   | √   |
|           | SCK-502             | √                | √   | √   | √   | √   |
| SCK-801   | √                   | √                | √   | √   | √   |     |
| SCK-1001  | √                   | √                | √   | √   | √   |     |
| SCK-1201  | √                   | √                | √   | √   | √   |     |

| Body Size | Certified Model No. | Safety Approvals |     |     |     |     |
|-----------|---------------------|------------------|-----|-----|-----|-----|
|           |                     | UL               | cUL | CSA | TUV | CQC |
| 13mm      | SCK-013             | √                | √   |     | √   | √   |
|           | SCK-1R37            | √                | √   |     | √   | √   |
|           | SCK-2R56            | √                | √   | √   | √   | √   |
|           | SCK-045             | √                | √   |     | √   | √   |
|           | SCK-4R74            | √                | √   |     | √   | √   |
|           | SCK-055             | √                | √   | √   | √   | √   |
|           | SCK-074             | √                | √   |     | √   | √   |
|           | SCK-084             | √                | √   | √   | √   | √   |
|           | SCK-104             | √                | √   | √   | √   | √   |
|           | SCK-124             | √                | √   | √   | √   | √   |
|           | SCK-153             | √                | √   | √   | √   | √   |
|           | SCK-163             | √                | √   | √   | √   | √   |
|           | SCK-183             | √                | √   | √   | √   | √   |
|           | SCK-203             | √                | √   | √   | √   | √   |
|           | SCK-0R78A           | √                | √   |     | √   | √   |
|           | SCK-018             | √                | √   |     | √   |     |
|           | SCK-1R38            | √                | √   | √   | √   | √   |
|           | SCK-1R58            | √                | √   | √   | √   | √   |
|           | SCK-028             | √                | √   |     | √   | √   |
| 15mm      | SCK-2R58            | √                | √   | √   | √   | √   |
|           | SCK-037             | √                | √   | √   | √   | √   |
|           | SCK-046             | √                | √   | √   | √   | √   |
|           | SCK-056             | √                | √   | √   | √   | √   |
|           | SCK-065             | √                | √   | √   | √   | √   |
|           | SCK-075             | √                | √   | √   | √   | √   |
|           | SCK-085             | √                | √   |     | √   | √   |
|           | SCK-105             | √                | √   | √   | √   | √   |
|           | SCK-125             | √                | √   | √   | √   | √   |
|           | SCK-154             | √                | √   | √   | √   | √   |
|           | SCK-164             | √                | √   | √   | √   | √   |
|           | SCK-184             | √                | √   | √   | √   | √   |
|           | SCK-204             | √                | √   | √   | √   | √   |
|           | SCK-224             | √                | √   |     | √   | √   |
|           | SCK-253             | √                | √   | √   | √   | √   |
|           | SCK-303             | √                | √   | √   | √   | √   |
|           | SCK-333             | √                | √   |     | √   | √   |
|           | SCK-403             | √                | √   | √   | √   | √   |
|           | SCK-473             | √                | √   | √   | √   | √   |

# NTC Thermistor : SCK Series

## Power Thermistor for Limiting Inrush Current



| Body Size | Certified Model No. | Safety Approvals |     |     |     |
|-----------|---------------------|------------------|-----|-----|-----|
|           |                     | UL               | cUL | TUV | CQC |
| 20mm      | SCK200R7            | √                | √   | √   | √   |
|           | SCK201R0            | √                | √   | √   | √   |
|           | SCK201R5            | √                | √   | √   | √   |
|           | SCK202R0            | √                | √   | √   | √   |
|           | SCK202R5            | √                | √   | √   | √   |
|           | SCK203R0            | √                | √   | √   | √   |
|           | SCK204R0            | √                | √   | √   | √   |
|           | SCK204R7            | √                | √   | √   | √   |
|           | SCK205R0            | √                | √   | √   | √   |
|           | SCK206R0            | √                | √   | √   | √   |
|           | SCK206R8            | √                | √   | √   | √   |
|           | SCK207R0            | √                | √   | √   | √   |
|           | SCK208R0            | √                | √   | √   | √   |
|           | SCK20100            | √                | √   | √   | √   |
|           | SCK20120            | √                | √   | √   | √   |
|           | SCK20130            | √                | √   | √   | √   |
|           | SCK20150            | √                | √   | √   | √   |
|           | SCK20160            | √                | √   | √   | √   |
|           | SCK20180            | √                | √   | √   | √   |
|           | SCK20200            | √                | √   | √   | √   |
| 25mm      | SCK251R0            | √                | √   | √   | √   |
|           | SCK251R5            | √                | √   | √   | √   |
|           | SCK252R0            | √                | √   | √   | √   |
|           | SCK252R5            | √                | √   | √   | √   |
|           | SCK253R0            | √                | √   | √   | √   |
|           | SCK254R0            | √                | √   | √   | √   |
|           | SCK254R7            | √                | √   | √   | √   |
|           | SCK255R0            | √                | √   | √   | √   |
|           | SCK256R8            | √                | √   | √   | √   |
|           | SCK257R0            | √                | √   | √   | √   |
|           | SCK258R0            | √                | √   | √   | √   |
|           | SCK25100            | √                | √   | √   | √   |
|           | SCK25120            | √                | √   | √   | √   |
|           | SCK25150            | √                | √   | √   | √   |
|           | SCK25180            | √                | √   | √   | √   |
|           | SCK25200            | √                | √   | √   | √   |

| Body Size | Certified Model No. | Safety Approvals |     |     |     |
|-----------|---------------------|------------------|-----|-----|-----|
|           |                     | UL               | cUL | TUV | CQC |
| 30mm      | SCK301R0            | √                | √   | √   | √   |
|           | SCK301R5            | √                | √   | √   | √   |
|           | SCK302R0            | √                | √   | √   | √   |
|           | SCK302R5            | √                | √   | √   | √   |
|           | SCK303R0            | √                | √   | √   | √   |
|           | SCK304R0            | √                | √   | √   | √   |
|           | SCK304R7            | √                | √   | √   | √   |
|           | SCK305R0            | √                | √   | √   | √   |
|           | SCK306R8            | √                | √   | √   | √   |
|           | SCK307R0            | √                | √   | √   | √   |
|           | SCK308R0            | √                | √   | √   | √   |
|           | SCK30100            | √                | √   | √   | √   |
|           | SCK30120            | √                | √   | √   | √   |
|           | SCK30150            | √                | √   | √   | √   |
|           | SCK30180            | √                | √   | √   | √   |
|           | SCK30200            | √                | √   | √   | √   |

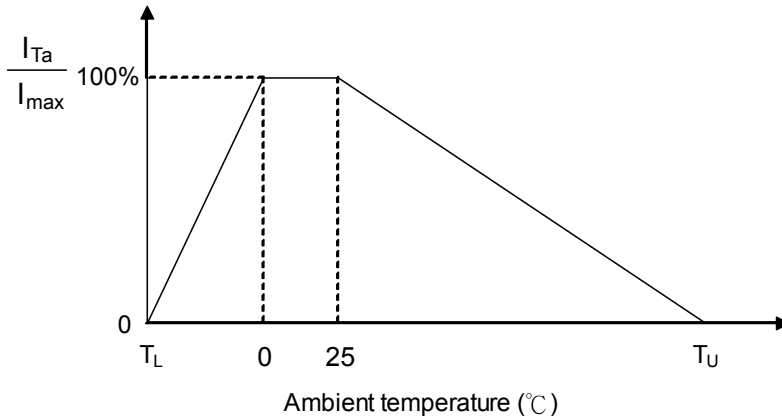


# NTC Thermistor : SCK Series



## Power Thermistor for Limiting Inrush Current

### Max. Current Derating Curve



$T_U$ : Maximum operating temperature (°C)

$T_L$ : Minimum operating temperature (°C)

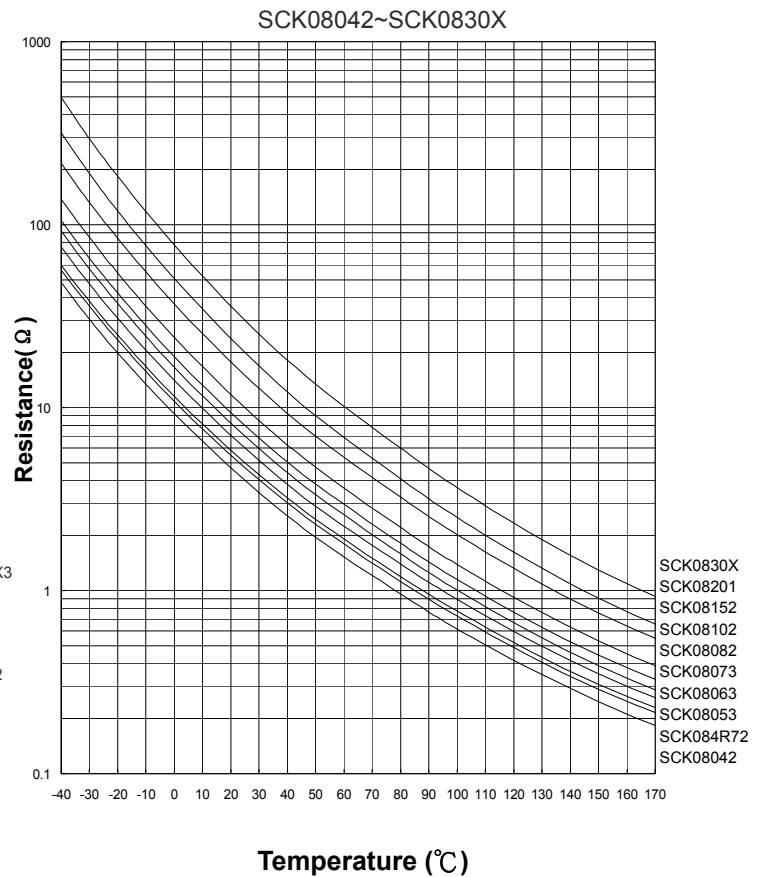
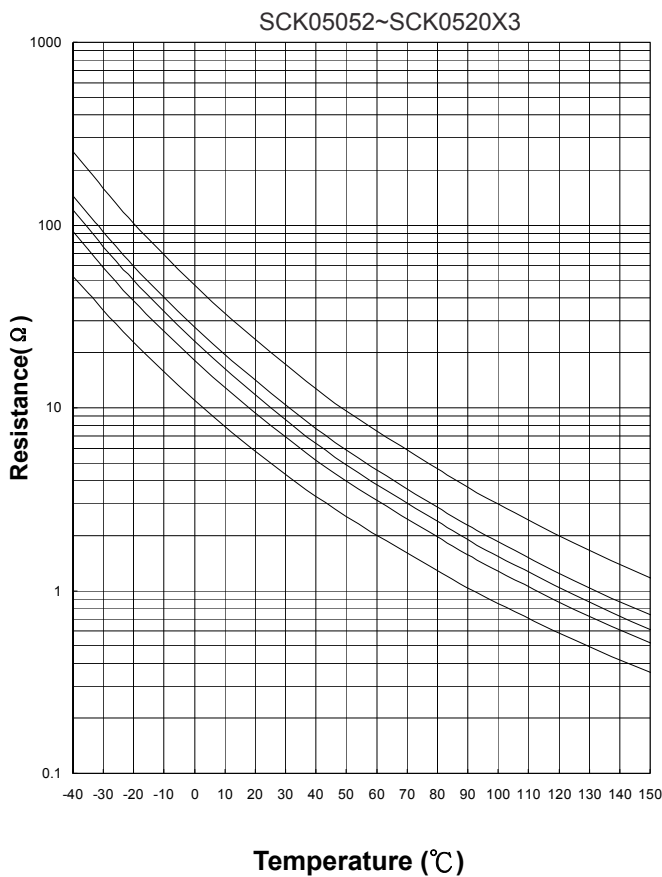
For example:

Ambient temperature( $T_a$ ) = 60°C

Maximum operating temperature( $T_U$ ) = 200°C

$$I_{Ta} = [1 - (T_a - 25) / (T_U - 25)] \times I_{max} = 80\% I_{max}$$

### R-T Characteristic Curves



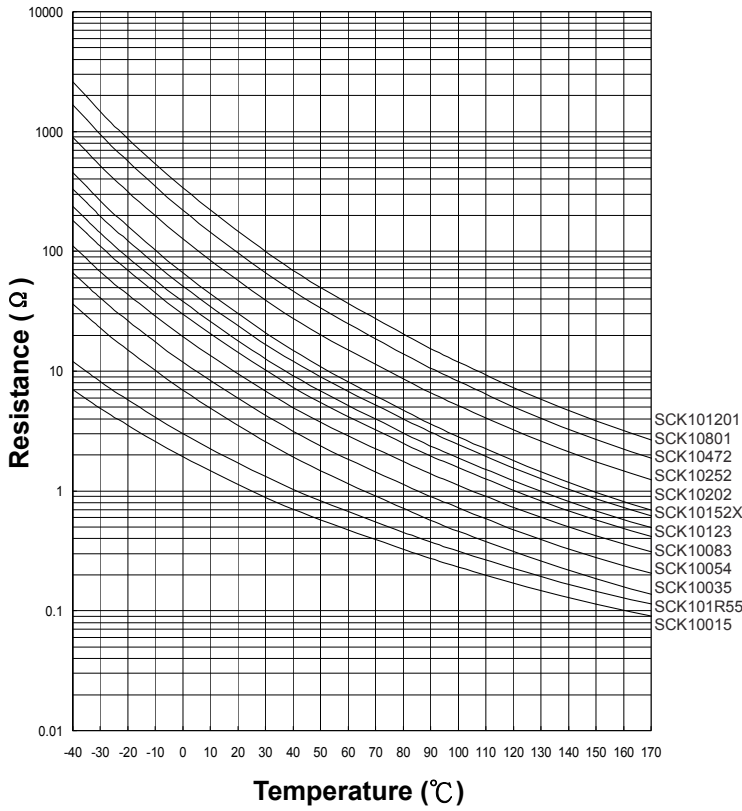
# NTC Thermistor : SCK Series

## Power Thermistor for Limiting Inrush Current

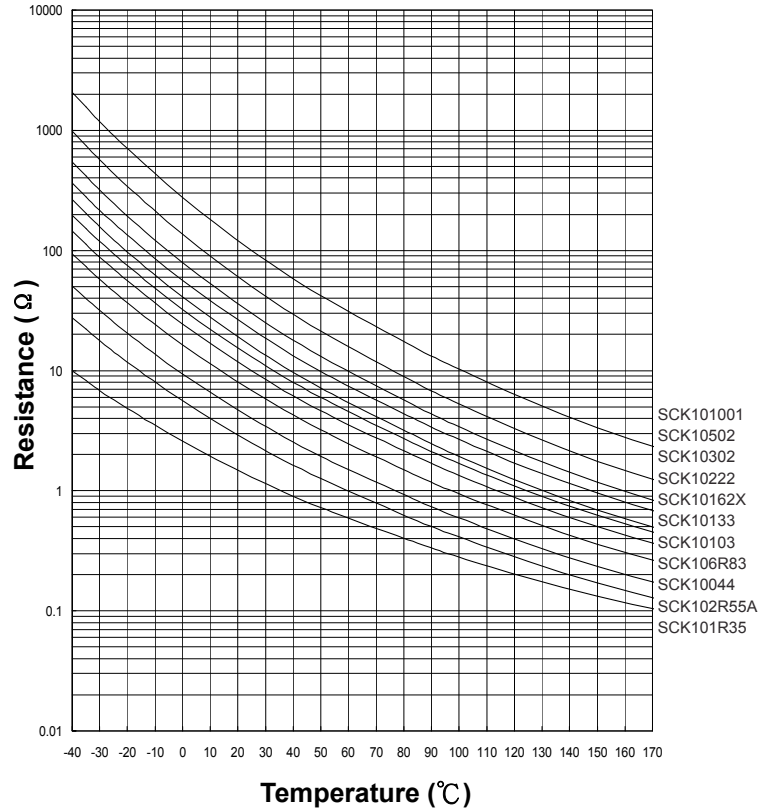


### ■ R-T Characteristic Curves

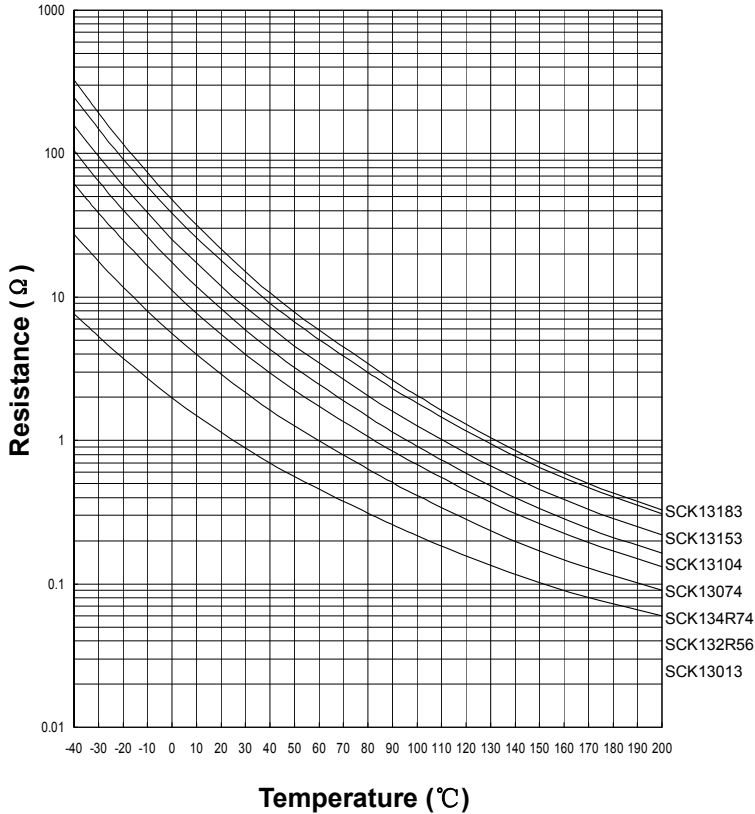
SCK10015~SCK101201



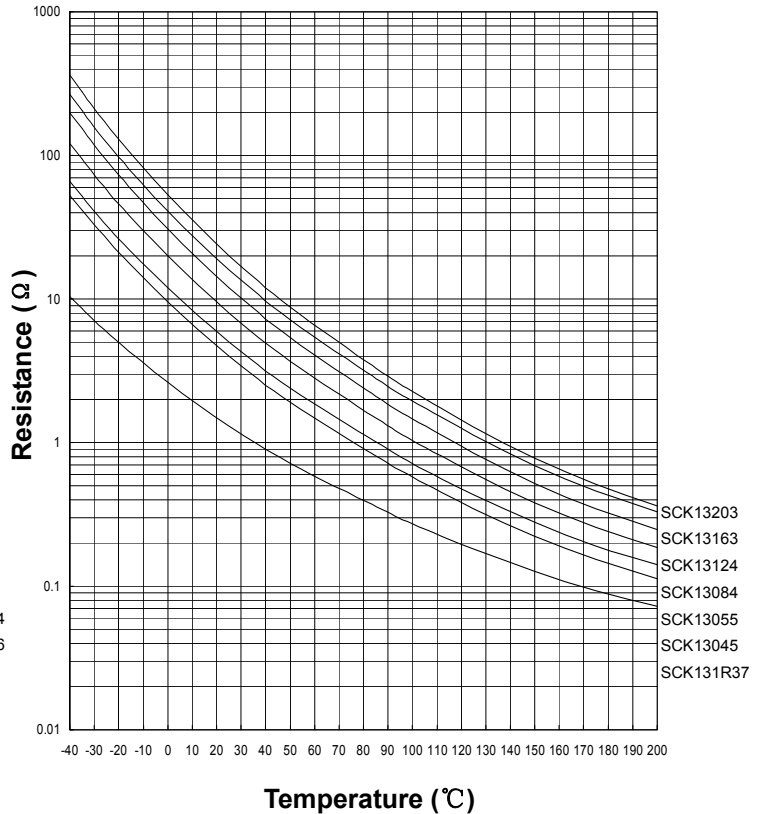
SCK101R35~SCK101001



SCK13013~SCK13183



SCK131R37~SCK13203

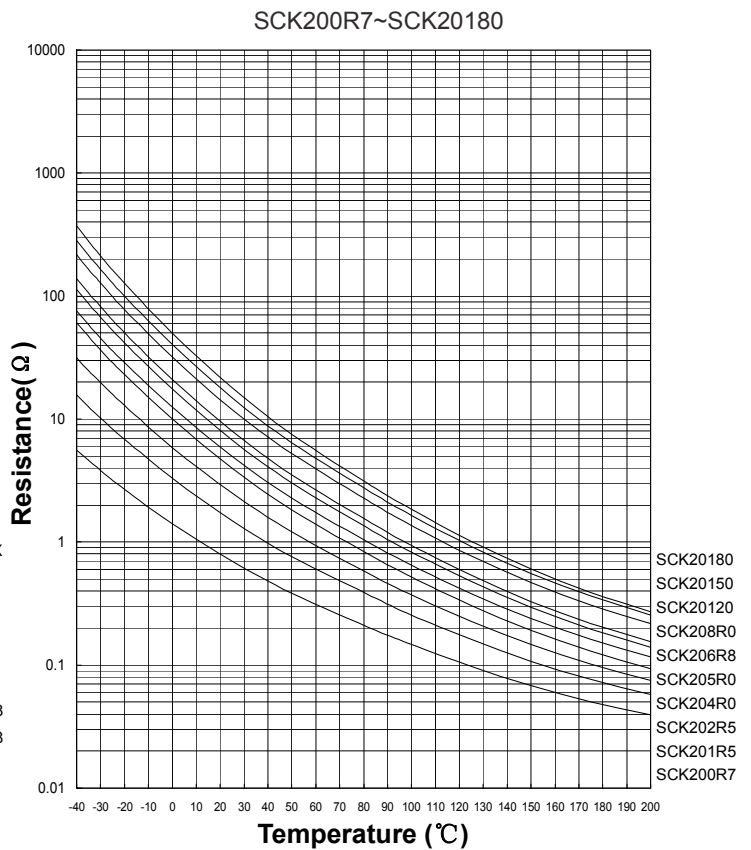
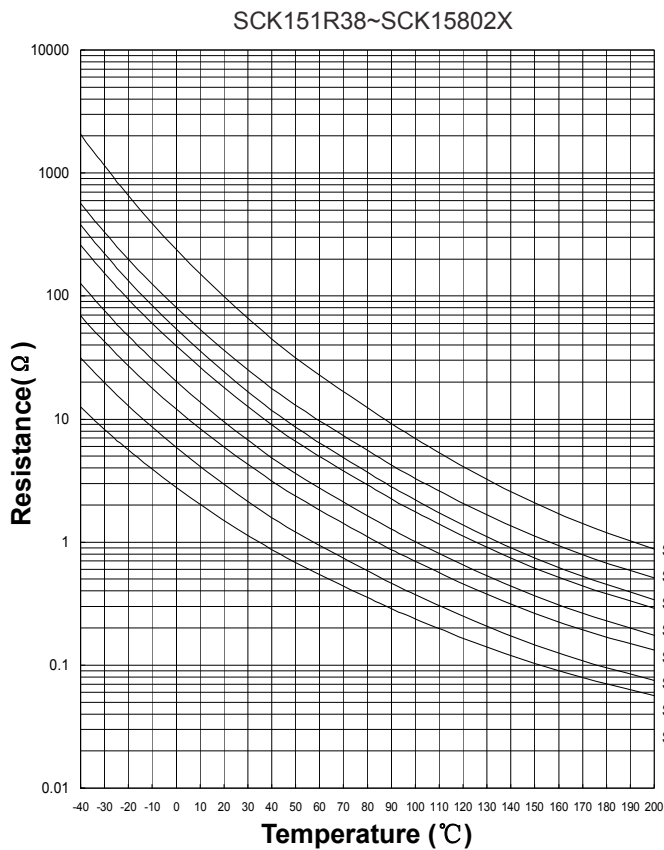
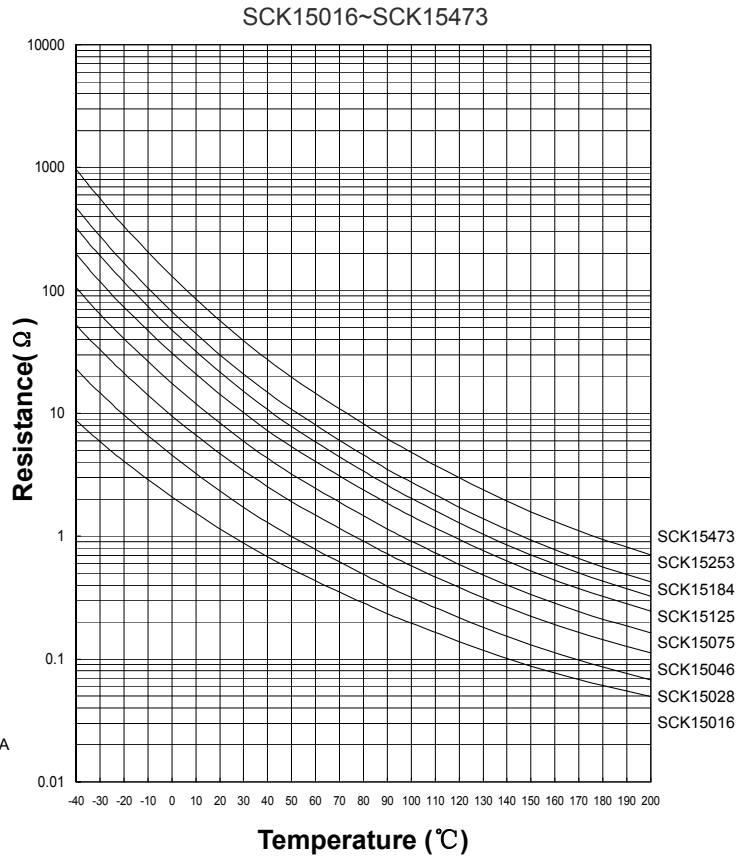
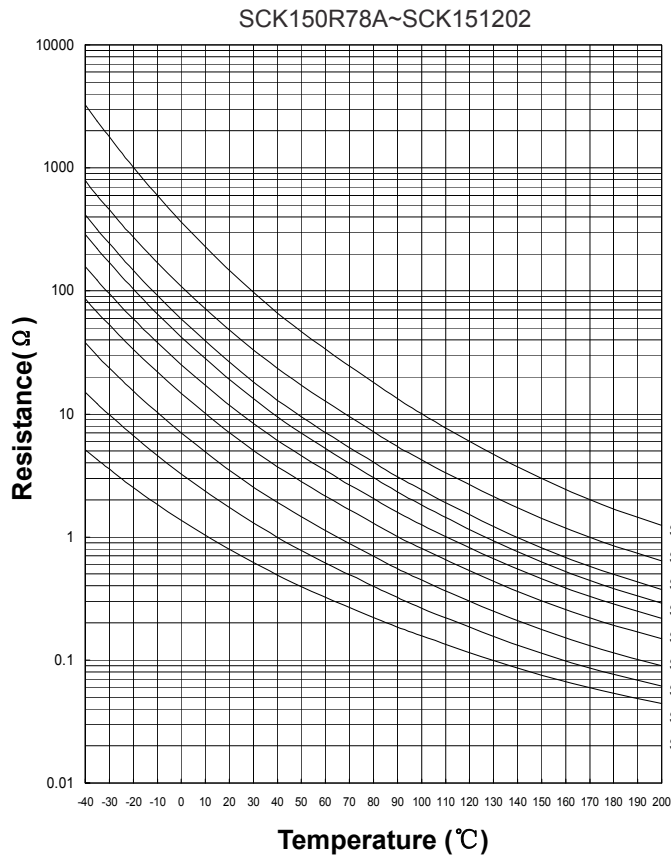


# NTC Thermistor : SCK Series

## Power Thermistor for Limiting Inrush Current



### ■ R-T Characteristic Curves



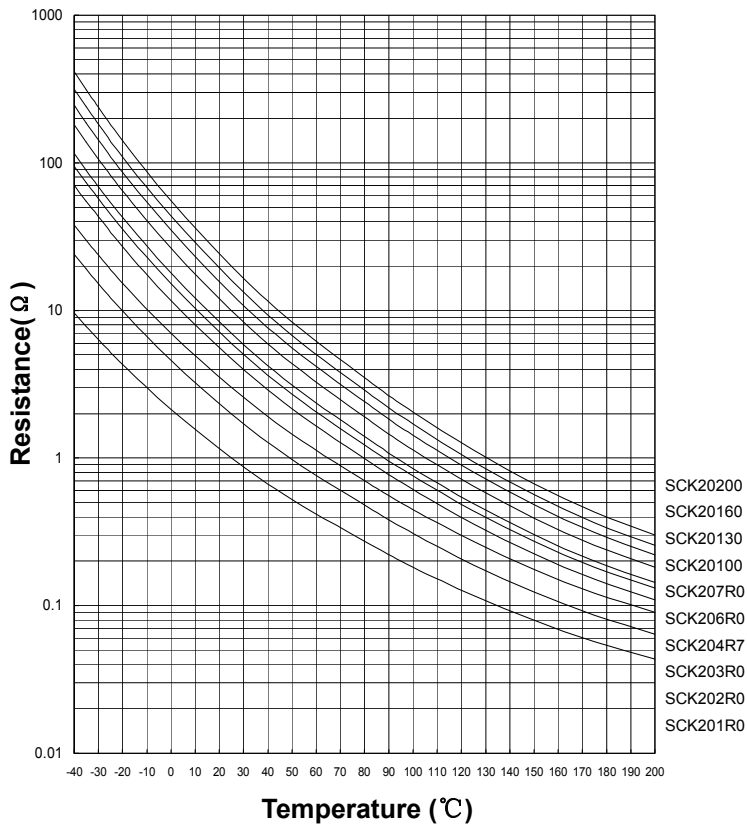
# NTC Thermistor : SCK Series

## Power Thermistor for Limiting Inrush Current

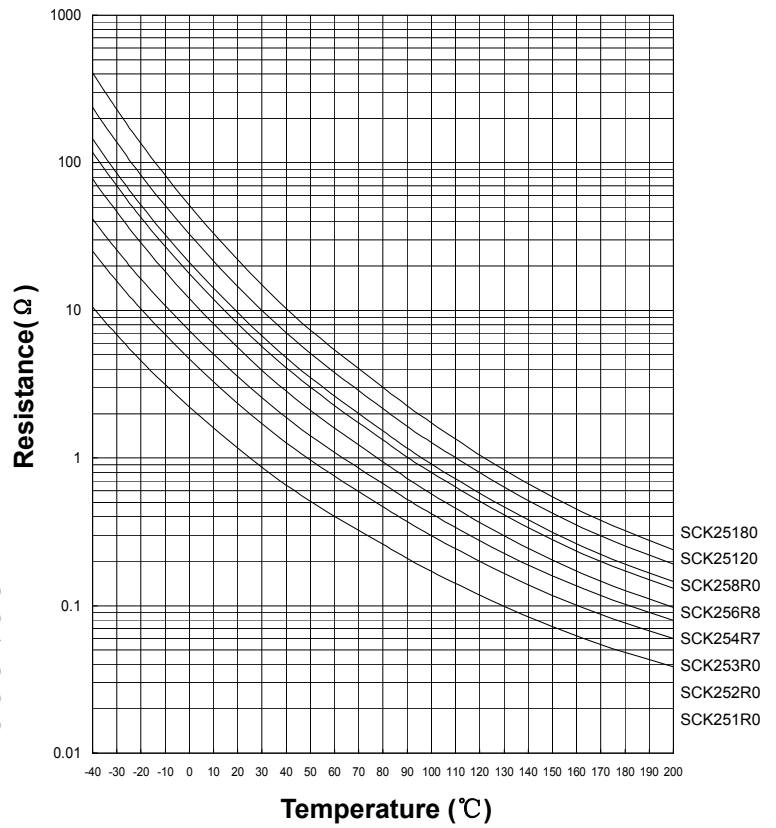


### ■ R-T Characteristic Curves

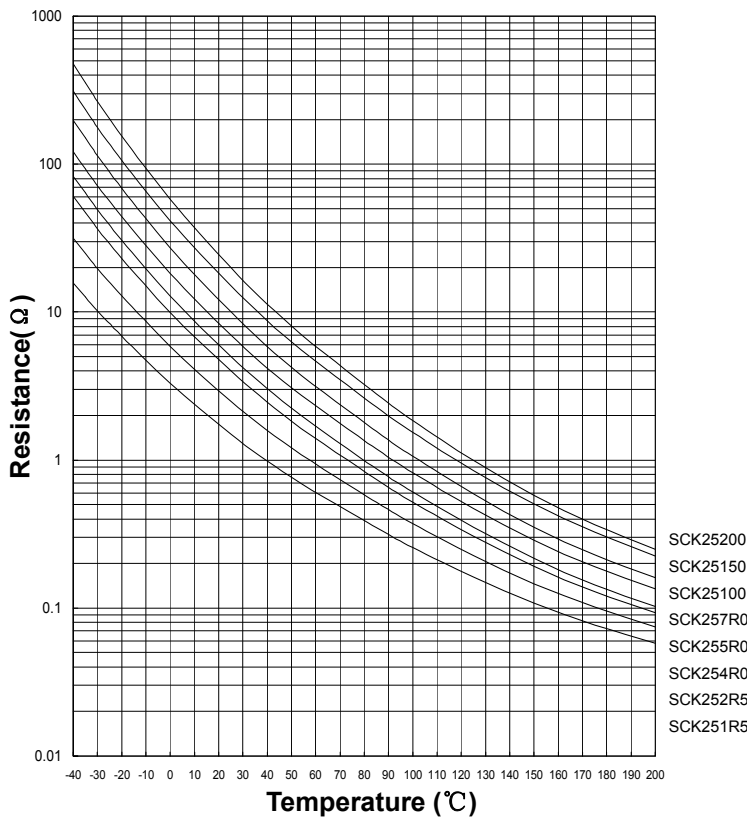
SCK201R0~SCK20200



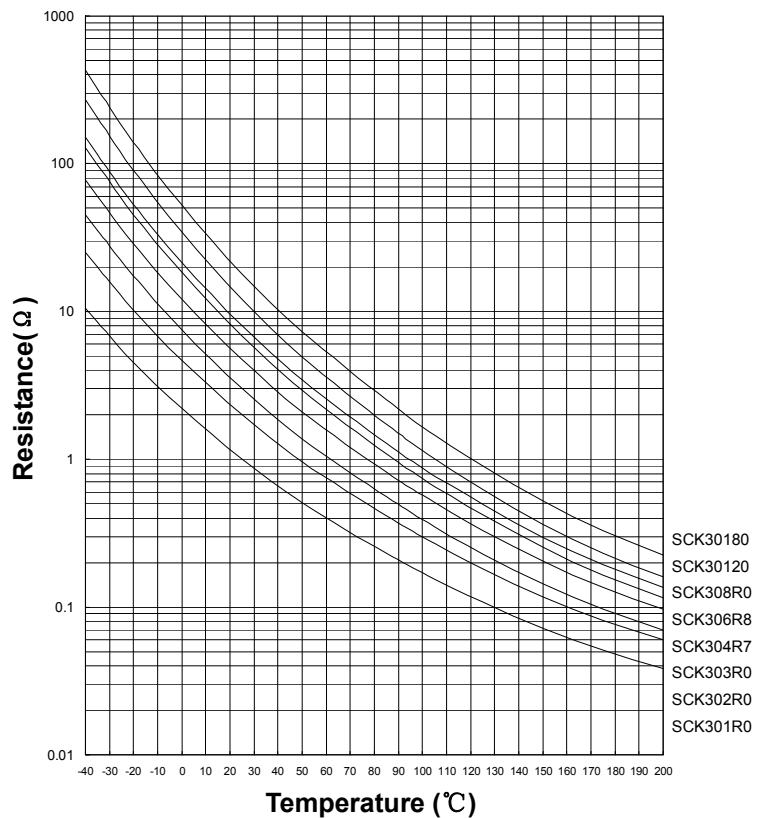
SCK251R0~SCK25180



SCK251R5~SCK25200



SCK301R0~SCK30180

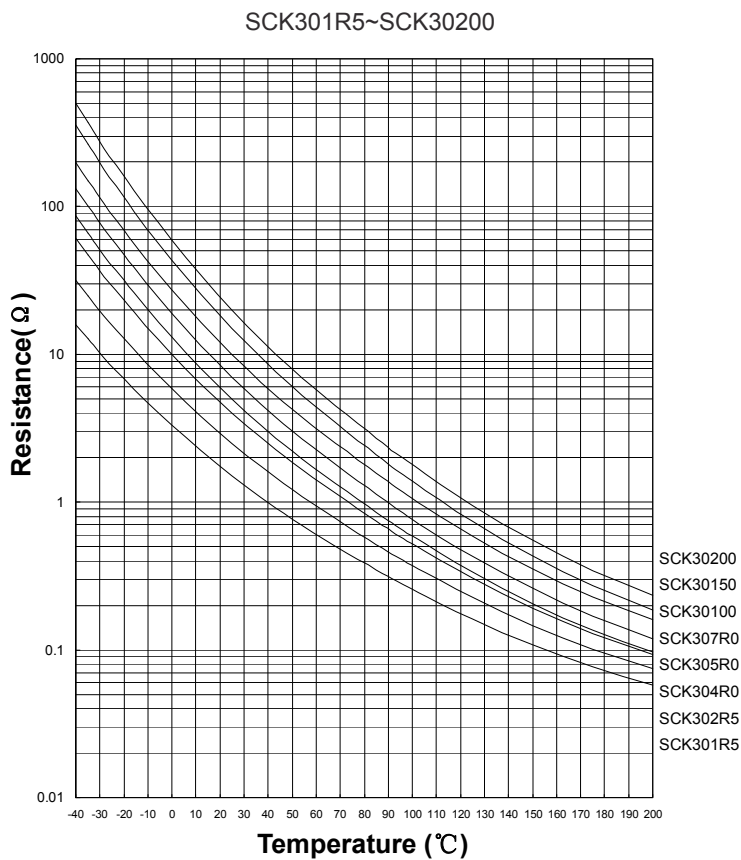


# NTC Thermistor : SCK Series

## Power Thermistor for Limiting Inrush Current



### ■ R-T Characteristic Curves

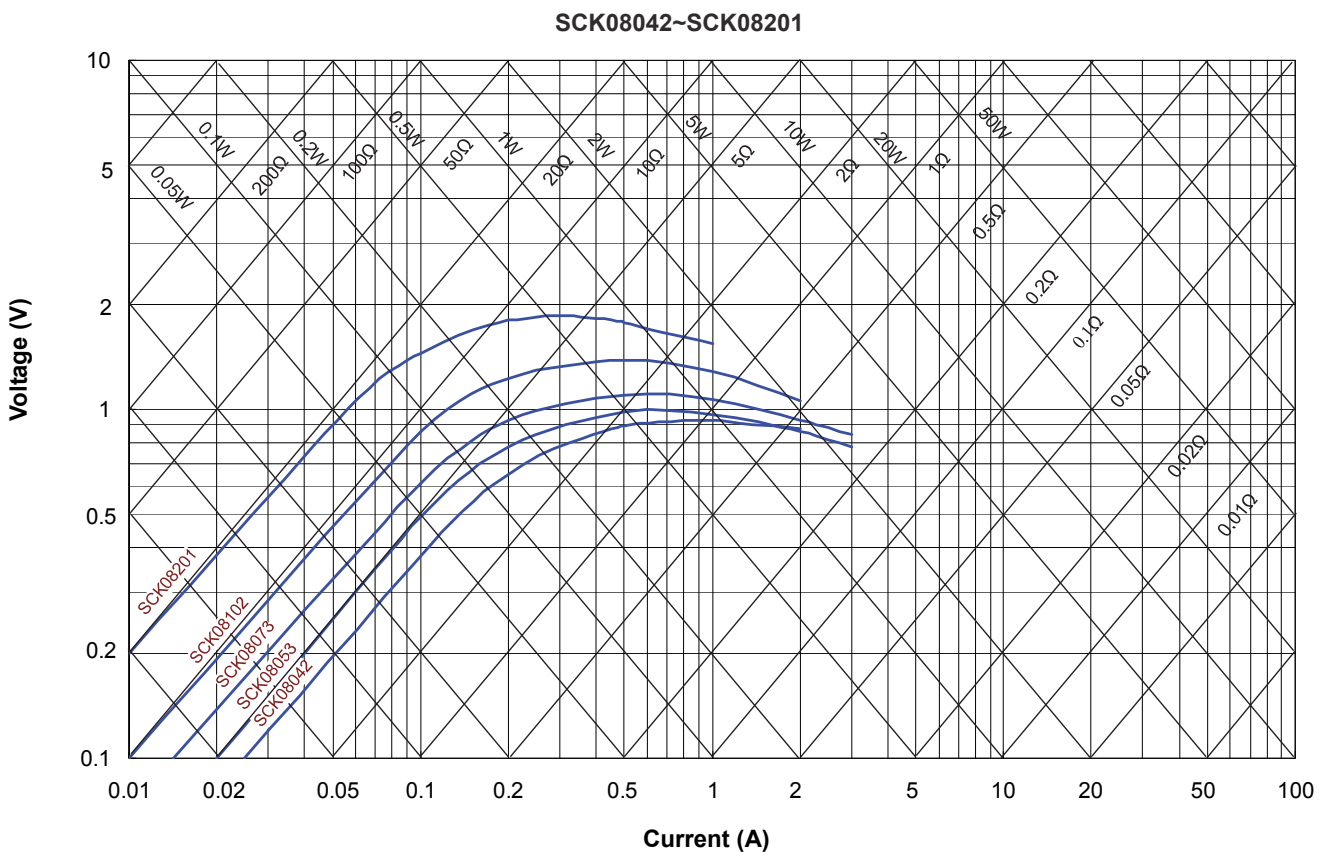
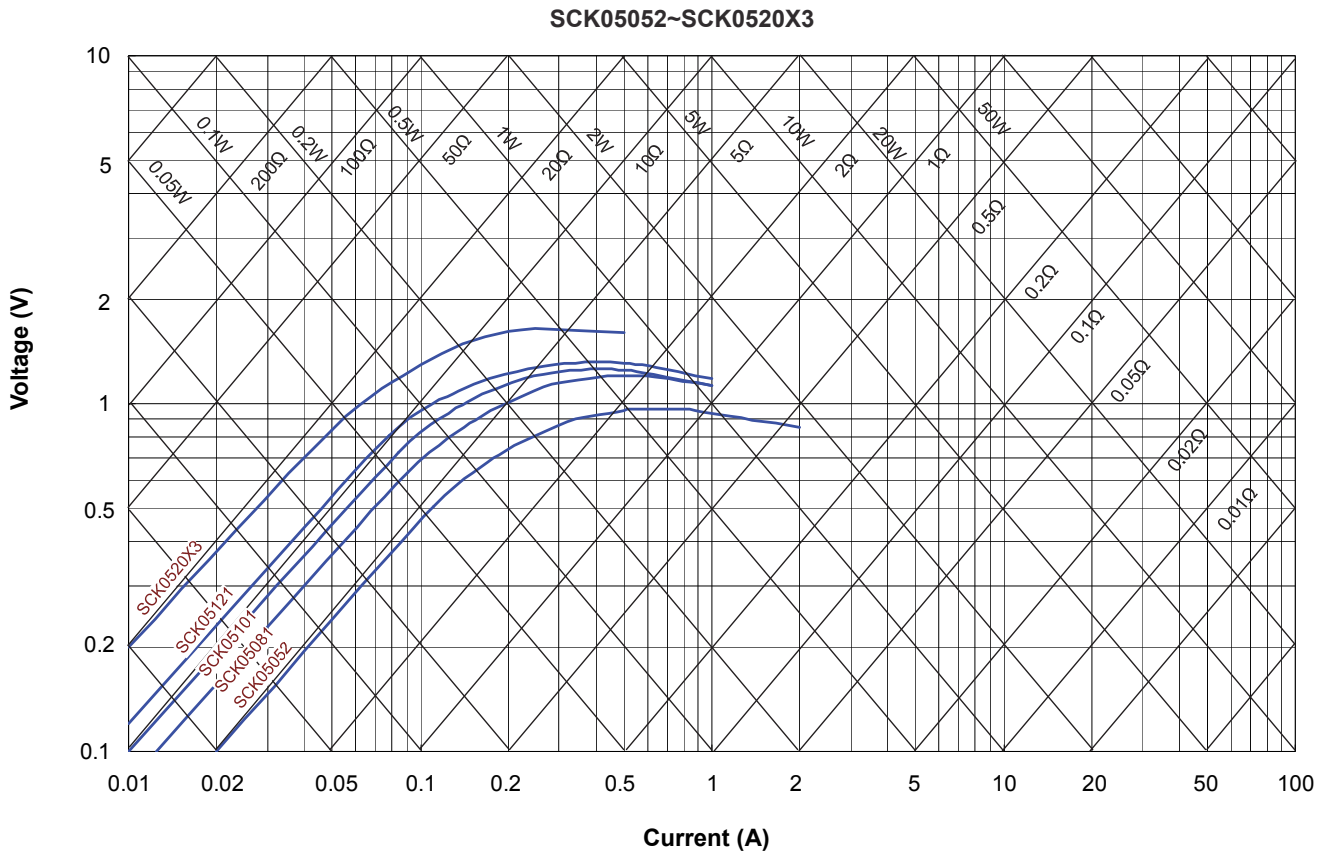


# NTC Thermistor : SCK Series

## Power Thermistor for Limiting Inrush Current

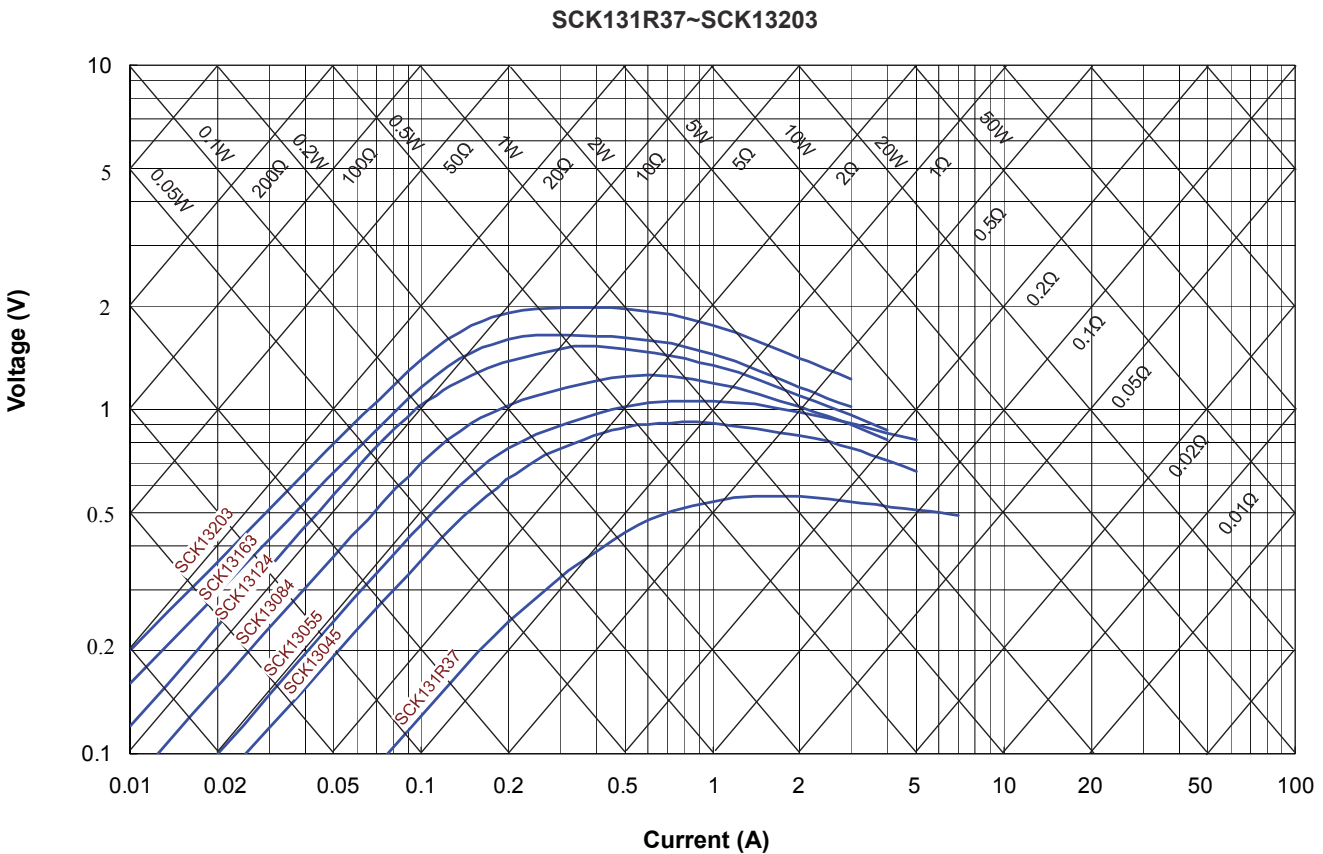
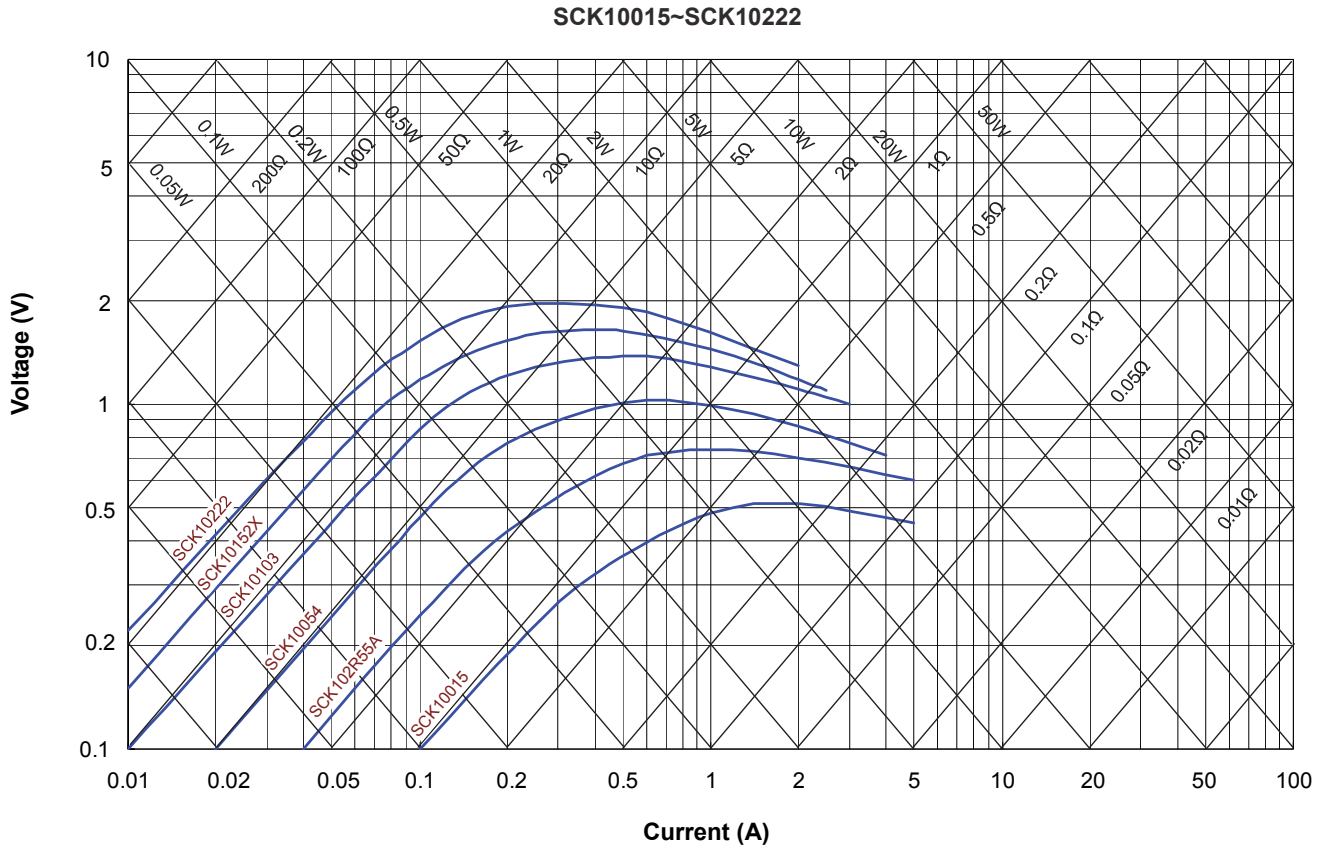


### ■ V-I Characteristic Curves (representative)



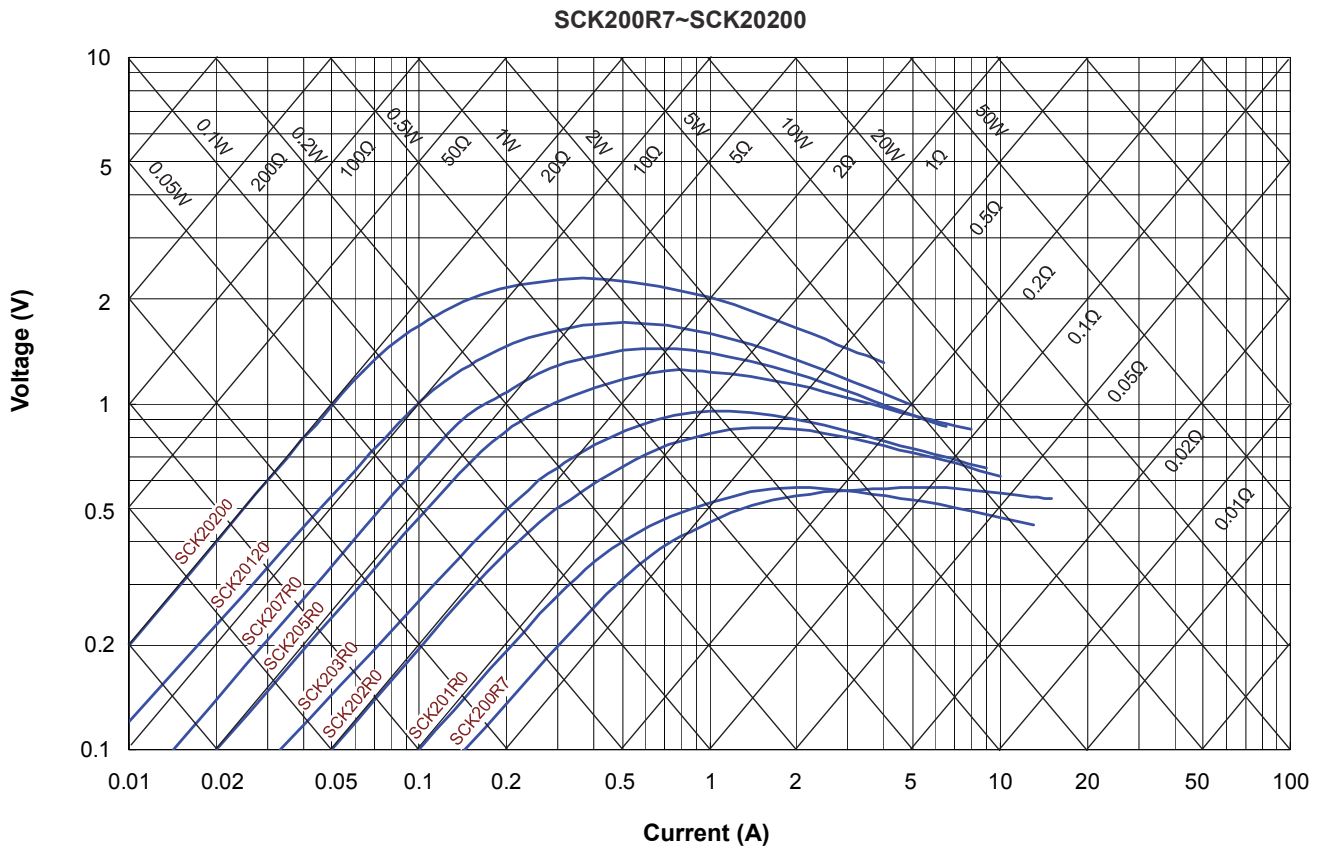
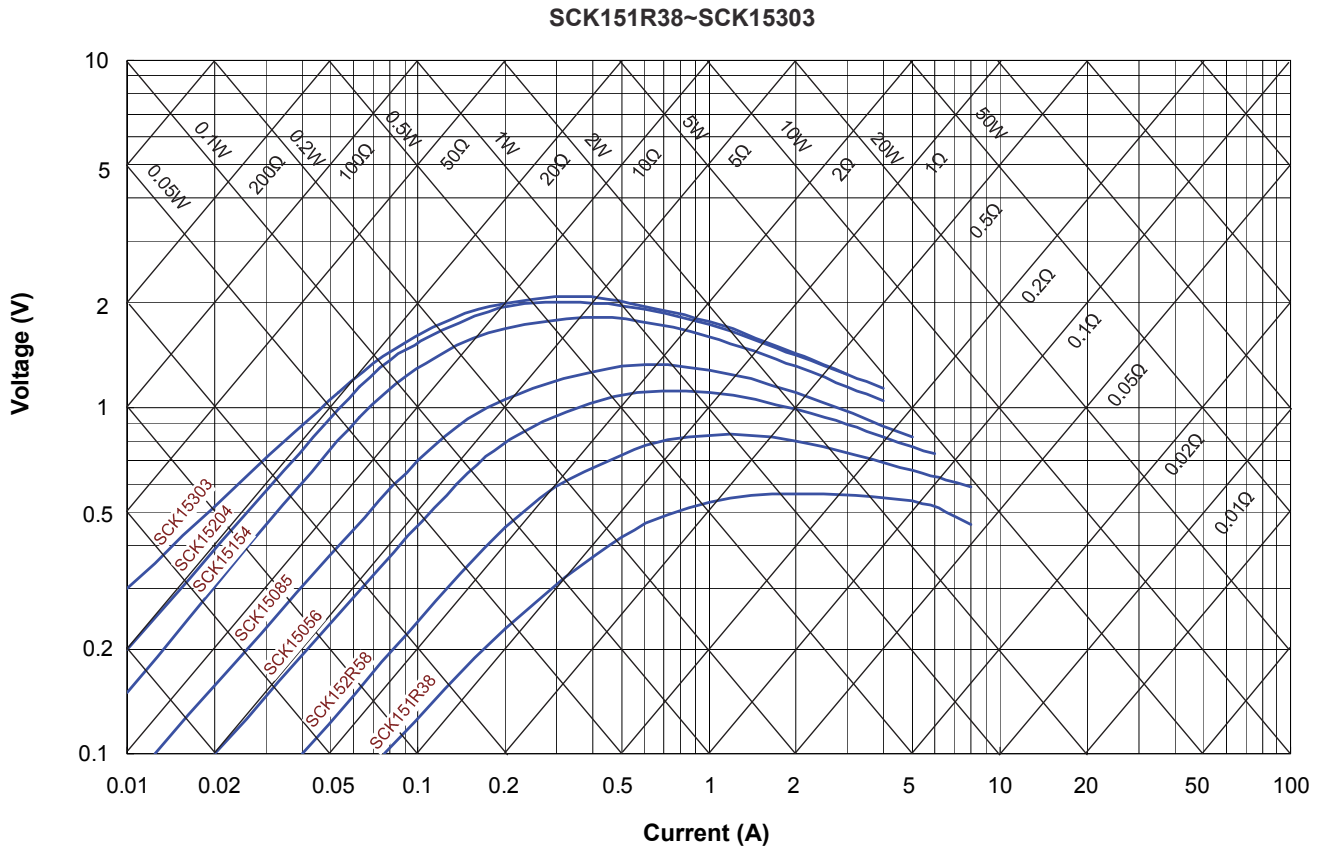
# NTC Thermistor : SCK Series

## Power Thermistor for Limiting Inrush Current



# NTC Thermistor : SCK Series

## Power Thermistor for Limiting Inrush Current



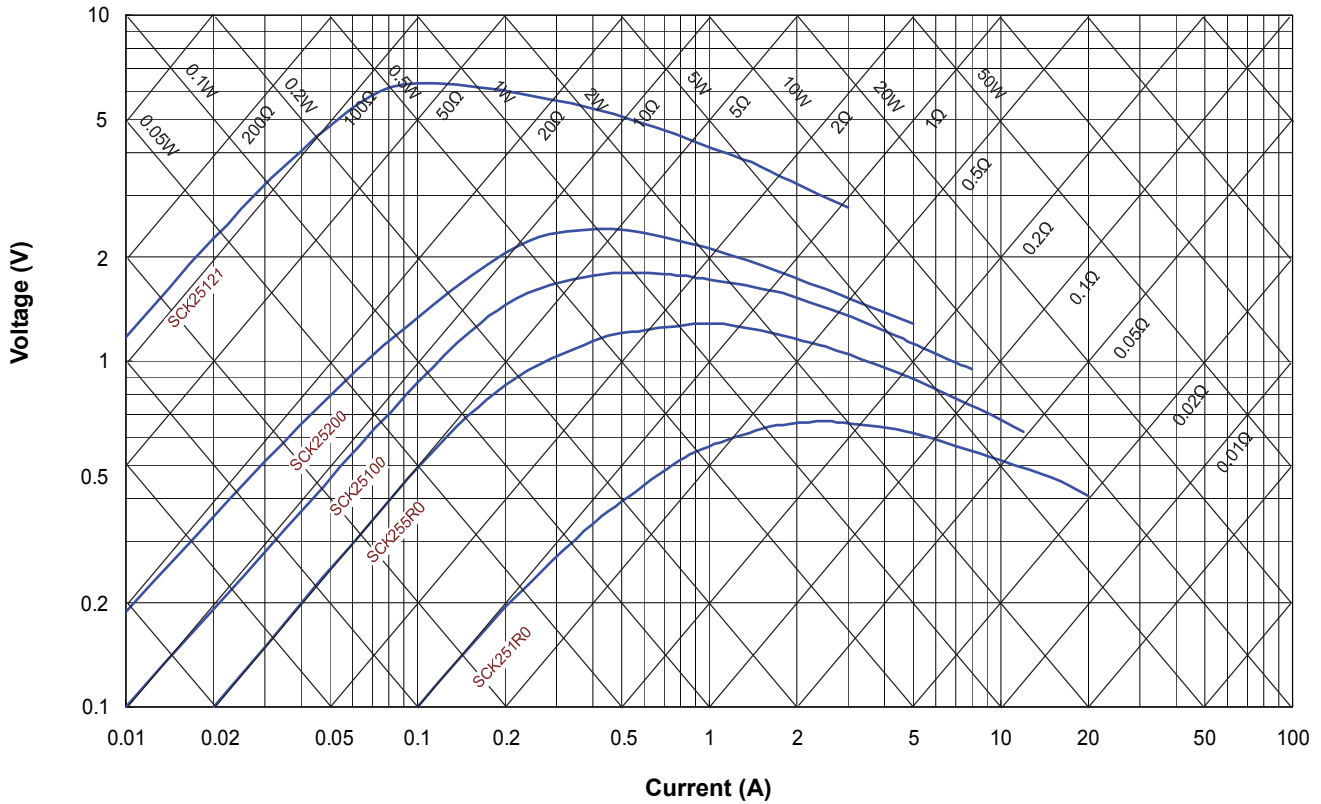


# NTC Thermistor : SCK Series

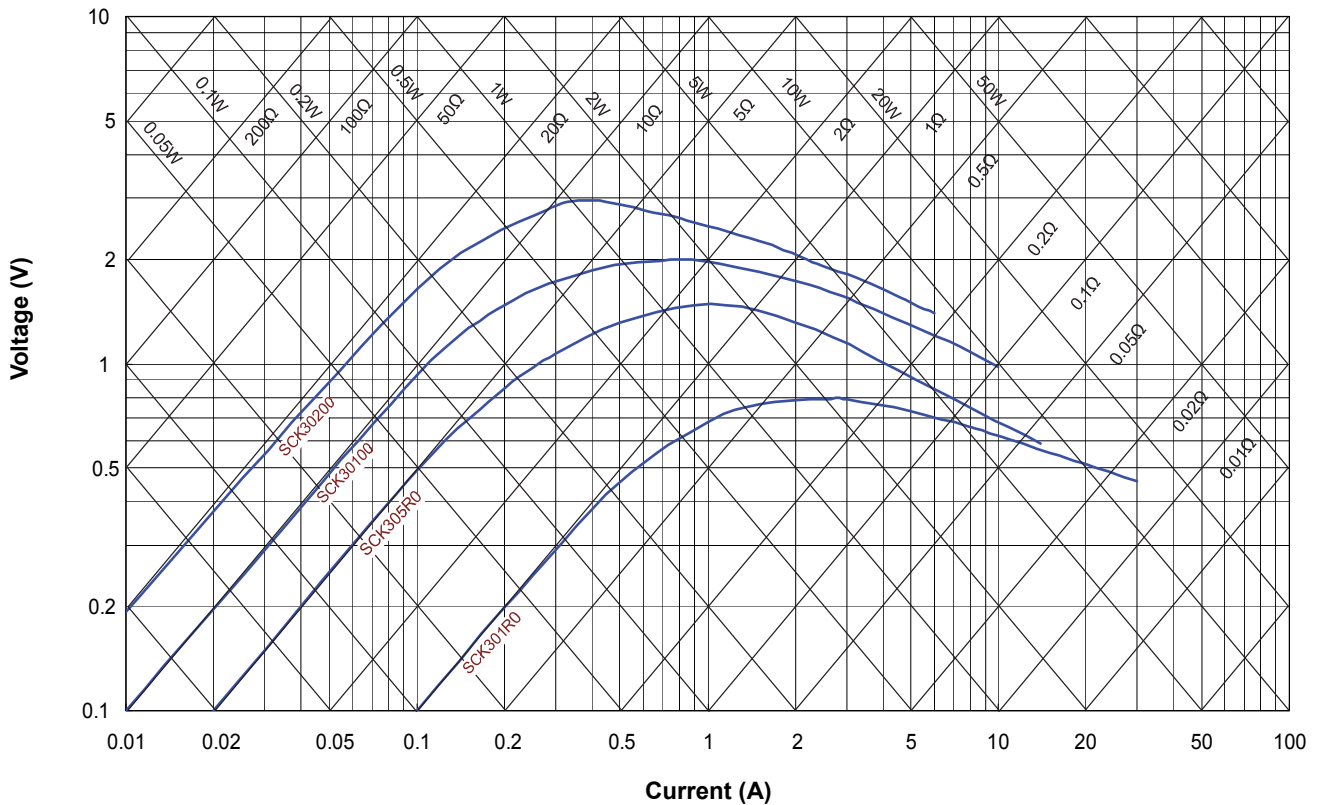
## Power Thermistor for Limiting Inrush Current



SCK251R0~SCK25121



SCK301R0~SCK30200



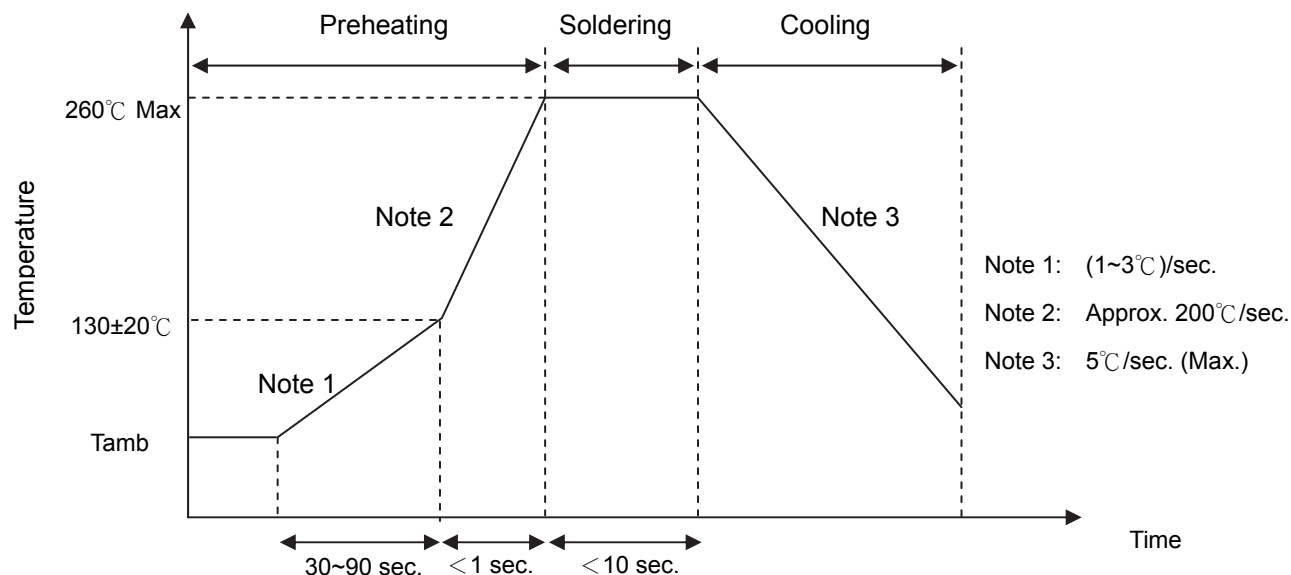
# NTC Thermistor : SCK Series

## Power Thermistor for Limiting Inrush Current



### ■ Soldering Recommendation

#### ● Wave Soldering Profile



#### ● Recommended Reworking Conditions with Soldering Iron

| Item                              | Condition     |
|-----------------------------------|---------------|
| Temperature of Soldering Iron-tip | 360°C (max.)  |
| Soldering Time                    | 3 sec. (max.) |
| Distance from Thermistor          | 2 mm (min.)   |

# NTC Thermistor : SCK Series

## Power Thermistor for Limiting Inrush Current



### ■ Reliability

| Item                          | Standard                    | Test conditions / Methods  | Specifications  |                  |                  |     |                    |        |                                    |                  |       |   |                    |        |   |                  |       |   |
|-------------------------------|-----------------------------|--|---|------------------|------------------|-----|--------------------|--------|------------------------------------|------------------|-------|---|--------------------|--------|---|------------------|-------|---|
| Tensile Strength of Terminals | IEC 60068-2-21              | <p>Gradually apply the specified force and keep the unit fixed for 10±1 sec.</p> <table border="1"> <thead> <tr> <th>Terminal diameter<br/>(mm)</th> <th>Force<br/>(Kg)</th> </tr> </thead> <tbody> <tr> <td>0.5&lt;d≤0.80</td> <td>1.0</td> </tr> <tr> <td>0.8&lt;d≤1.25</td> <td>2.0</td> </tr> </tbody> </table>  | Terminal diameter<br>(mm)                                   | Force<br>(Kg)    | 0.5<d≤0.80       | 1.0 | 0.8<d≤1.25         | 2.0    | $ \Delta R_{25}/R_{25}  \leq 10\%$ |                  |       |   |                    |        |   |                  |       |   |
| Terminal diameter<br>(mm)     | Force<br>(Kg)               |  |   |                  |                  |     |                    |        |                                    |                  |       |   |                    |        |   |                  |       |   |
| 0.5<d≤0.80                    | 1.0                         |  |   |                  |                  |     |                    |        |                                    |                  |       |   |                    |        |   |                  |       |   |
| 0.8<d≤1.25                    | 2.0                         |  |   |                  |                  |     |                    |        |                                    |                  |       |   |                    |        |   |                  |       |   |
| Solderability                 | IEC 60068-2-20              | 245 ± 3°C, 3 ± 0.3 sec   | At least 95% of terminal electrode is covered by new solder |                  |                  |     |                    |        |                                    |                  |       |   |                    |        |   |                  |       |   |
| Resistance to Soldering Heat  | IEC 60068-2-20              | 260 ± 3°C, 10 ± 1 sec  | No visible damage<br>$ \Delta R_{25}/R_{25}  \leq 10\%$     |                  |                  |     |                    |        |                                    |                  |       |   |                    |        |   |                  |       |   |
| High Temperature Storage      | IEC 60068-2-2               | T <sub>u</sub> ± 5 °C, 1000± 24 hrs  | No visible damage<br>$ \Delta R_{25}/R_{25}  \leq 20\%$     |                  |                  |     |                    |        |                                    |                  |       |   |                    |        |   |                  |       |   |
| Damp Heat, Steady State       | IEC 60068-2-78              | 40 ± 2°C, 90~95% RH, 1000 ± 24 hrs   | No visible damage<br>$ \Delta R_{25}/R_{25}  \leq 20\%$     |                  |                  |     |                    |        |                                    |                  |       |   |                    |        |   |                  |       |   |
| Rapid Change of Temperature   | IEC 60068-2-14              | <p>The conditions shown below shall be repeated 5 cycles.</p> <table border="1"> <thead> <tr> <th>Step</th> <th>Temperature (°C)</th> <th>Period (minutes)</th> </tr> </thead> <tbody> <tr> <td>1</td> <td>T<sub>L</sub> ± 5</td> <td>30 ± 3</td> </tr> <tr> <td>2</td> <td>Room temperature</td> <td>5 ± 3</td> </tr> <tr> <td>3</td> <td>T<sub>U</sub> ± 5</td> <td>30 ± 3</td> </tr> <tr> <td>4</td> <td>Room temperature</td> <td>5 ± 3</td> </tr> </tbody> </table> | Step  | Temperature (°C) | Period (minutes) | 1   | T <sub>L</sub> ± 5 | 30 ± 3 | 2                                  | Room temperature | 5 ± 3 | 3 | T <sub>U</sub> ± 5 | 30 ± 3 | 4 | Room temperature | 5 ± 3 | No visible damage<br>$ \Delta R_{25}/R_{25}  \leq 20\%$ |
| Step                          | Temperature (°C)            | Period (minutes)   |   |                  |                  |     |                    |        |                                    |                  |       |   |                    |        |   |                  |       |   |
| 1                             | T <sub>L</sub> ± 5          | 30 ± 3   |   |                  |                  |     |                    |        |                                    |                  |       |   |                    |        |   |                  |       |   |
| 2                             | Room temperature            | 5 ± 3  |   |                  |                  |     |                    |        |                                    |                  |       |   |                    |        |   |                  |       |   |
| 3                             | T <sub>U</sub> ± 5          | 30 ± 3   |   |                  |                  |     |                    |        |                                    |                  |       |   |                    |        |   |                  |       |   |
| 4                             | Room temperature            | 5 ± 3  |   |                  |                  |     |                    |        |                                    |                  |       |   |                    |        |   |                  |       |   |
| Max. Current                  | IEC 60539-1<br>4.26.1       | 25 ± 5°C, I <sub>max.</sub> , 1000± 24 hrs   | No visible damage<br>$ \Delta R_{25}/R_{25}  \leq 20\%$     |                  |                  |     |                    |        |                                    |                  |       |   |                    |        |   |                  |       |   |
| Endurance                     | Specification Standard      | 25 ± 5°C, I <sub>max.</sub> , C <sub>th</sub> , 1min ON / 5 mins OFF x 1000 cycles<br>C <sub>th</sub> = Capacitance at 240 Vac   | No visible damage<br>$ \Delta R_{25}/R_{25}  \leq 20\%$     |                  |                  |     |                    |        |                                    |                  |       |   |                    |        |   |                  |       |   |
| Insulation Test               | MIL-STD-202F<br>-Method 302 | 1000 V <sub>DC</sub> , 1 min   | ≥ 500 MΩ  |                  |                  |     |                    |        |                                    |                  |       |   |                    |        |   |                  |       |   |

# NTC Thermistor : SCK Series

## Power Thermistor for Limiting Inrush Current



### ■ Packaging

#### ● Taping Specification

#### S (Straight lead) Type

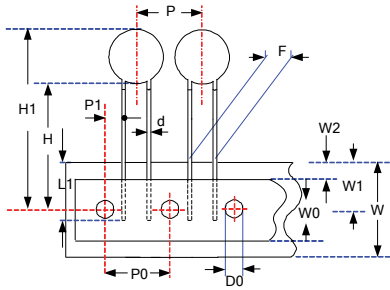


Figure A

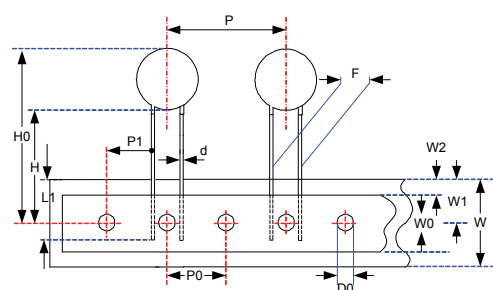


Figure B

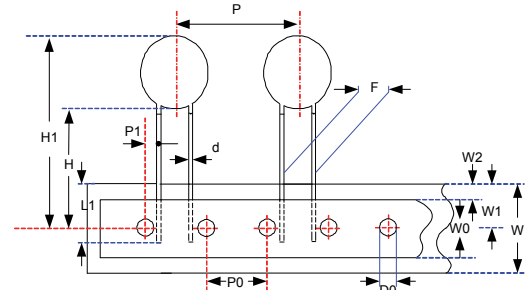
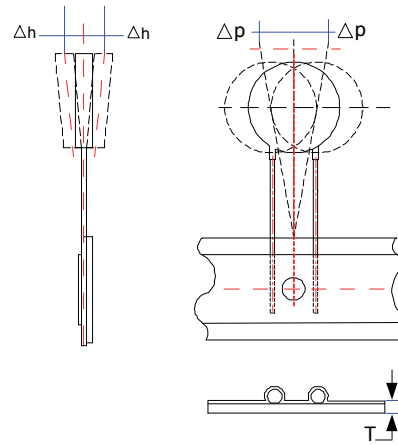
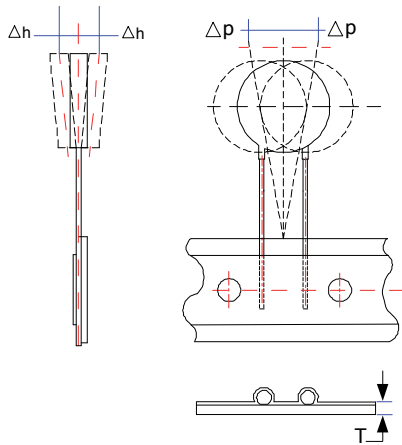


Figure C



(Unit: mm)

| Taping Dimension     | Disc Size | P <sub>0</sub> | F    | P    | P <sub>1</sub> | H         | H <sub>1</sub> | d     | W <sub>0</sub> | W <sub>1</sub> | W <sub>2</sub> | W           | ΔP  | Δh   | L <sub>1</sub> | D <sub>0</sub> | T    | Figure |
|----------------------|-----------|----------------|------|------|----------------|-----------|----------------|-------|----------------|----------------|----------------|-------------|-----|------|----------------|----------------|------|--------|
|                      |           | ±0.3           | ±0.5 | ±1   | ±0.7           | +2<br>/-0 | Max.           | ±0.02 | ±1             | +0.75<br>/-0.5 | Max            | +1/<br>-0.5 | Max | Max. | Min            | ±0.2           | ±0.2 |        |
| P <sub>0</sub> :12.7 | 05        | 12.7           | 4.0  | 12.7 | 4.35           | 18        | 28             | 0.8   | 12             | 9              | 3              | 18          | 1   | 2    | 9              | 4              | 0.6  | A      |
|                      | 08        | 12.7           | 5.0  | 12.7 | 3.85           | 18        | 30             | 0.8   | 12             | 9              | 3              | 18          | 1   | 2    | 9              | 4              | 0.6  | A      |
|                      | 10        | 12.7           | 5.0  | 12.7 | 3.85           | 18        | 32             | 0.8   | 12             | 9              | 3              | 18          | 1   | 2    | 9              | 4              | 0.6  | A      |
|                      | 13        | 12.7           | 7.5  | 25.4 | 8.95           | 18        | 35             | 0.8   | 12             | 9              | 3              | 18          | 1   | 2    | 9              | 4              | 0.6  | B      |
|                      | 15        | 12.7           | 7.5  | 25.4 | 8.95           | 18        | 37             | 1.0   | 12             | 9              | 3              | 18          | 1   | 2    | 9              | 4              | 0.6  | B      |
|                      | 20        | 12.7           | 7.5  | 25.4 | 8.95           | 18        | 42             | 1.0   | 12             | 9              | 3              | 18          | 1   | 2    | 9              | 4              | 0.6  | B      |
| P <sub>0</sub> :15.0 | 05        | 15.0           | 4.0  | 15.0 | 5.50           | 18        | 28             | 0.8   | 12             | 9              | 3              | 18          | 1   | 2    | 9              | 4              | 0.6  | A      |
|                      | 08        | 15.0           | 5.0  | 15.0 | 5.00           | 18        | 30             | 0.8   | 12             | 9              | 3              | 18          | 1   | 2    | 9              | 4              | 0.6  | A      |
|                      | 10        | 15.0           | 5.0  | 15.0 | 5.00           | 18        | 32             | 0.8   | 12             | 9              | 3              | 18          | 1   | 2    | 9              | 4              | 0.6  | A      |
|                      | 13        | 15.0           | 7.5  | 15.0 | 3.75           | 18        | 35             | 0.8   | 12             | 9              | 3              | 18          | 1   | 2    | 9              | 4              | 0.6  | A      |
|                      | 15        | 15.0           | 7.5  | 30.0 | 3.75           | 18        | 37             | 1.0   | 12             | 9              | 3              | 18          | 1   | 2    | 9              | 4              | 0.6  | C      |
|                      | 20        | 15.0           | 7.5  | 30.0 | 3.75           | 18        | 42             | 1.0   | 12             | 9              | 3              | 18          | 1   | 2    | 9              | 4              | 0.6  | C      |

# NTC Thermistor : SCK Series

## Power Thermistor for Limiting Inrush Current



### F Type (Y kink lead)

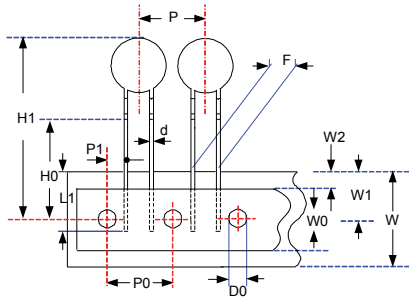


Figure A

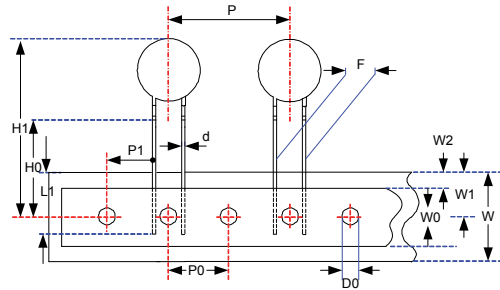


Figure B

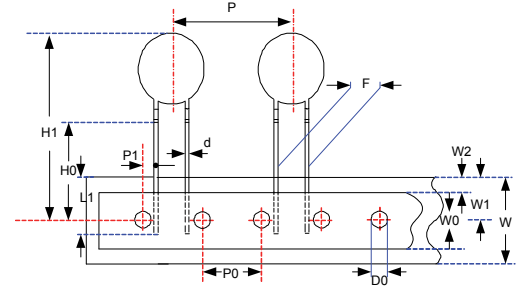
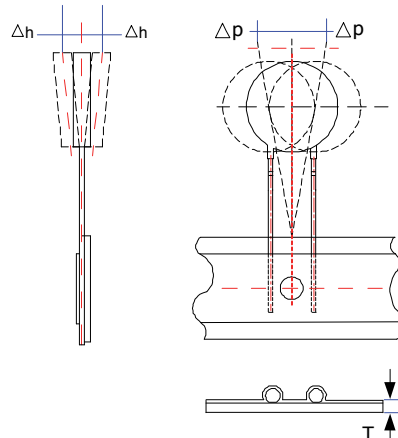
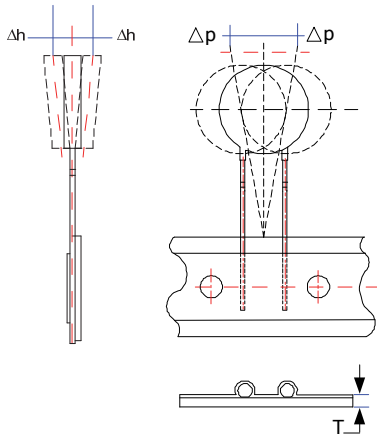


Figure C



(Unit: mm)

| Taping Dimension     | Disc Size | P <sub>0</sub> | F    | P    | P <sub>1</sub> | H <sub>0</sub> | H <sub>1</sub> | d     | W <sub>0</sub> | W <sub>1</sub> | W <sub>2</sub> | W           | ΔP   | Δh   | L <sub>1</sub> | D <sub>0</sub> | T    | Figure |
|----------------------|-----------|----------------|------|------|----------------|----------------|----------------|-------|----------------|----------------|----------------|-------------|------|------|----------------|----------------|------|--------|
|                      |           | ±0.3           | ±0.5 | ±1   | ±0.7           | ±0.5           | Max.           | ±0.02 | ±1             | +0.75<br>/-0.5 | Max.           | +1/<br>-0.5 | Max. | Max. | Min            | ±0.2           | ±0.2 |        |
| P <sub>0</sub> :12.7 | 05        | 12.7           | 4.0  | 12.7 | 4.35           | 16             | 28             | 0.8   | 12             | 9              | 3              | 18          | 1    | 2    | 9              | 4              | 0.6  | A      |
|                      | 08        | 12.7           | 5.0  | 12.7 | 3.85           | 16             | 30             | 0.8   | 12             | 9              | 3              | 18          | 1    | 2    | 9              | 4              | 0.6  | A      |
|                      | 10        | 12.7           | 5.0  | 12.7 | 3.85           | 16             | 32             | 0.8   | 12             | 9              | 3              | 18          | 1    | 2    | 9              | 4              | 0.6  | A      |
|                      | 13        | 12.7           | 7.5  | 25.4 | 8.95           | 16             | 35             | 0.8   | 12             | 9              | 3              | 18          | 1    | 2    | 9              | 4              | 0.6  | B      |
|                      | 15        | 12.7           | 7.5  | 25.4 | 8.95           | 16             | 37             | 1.0   | 12             | 9              | 3              | 18          | 1    | 2    | 9              | 4              | 0.6  | B      |
| P <sub>0</sub> :15.0 | 05        | 15.0           | 4.0  | 15.0 | 5.50           | 16             | 28             | 0.8   | 12             | 9              | 3              | 18          | 1    | 2    | 9              | 4              | 0.6  | A      |
|                      | 08        | 15.0           | 5.0  | 15.0 | 5.00           | 16             | 30             | 0.8   | 12             | 9              | 3              | 18          | 1    | 2    | 9              | 4              | 0.6  | A      |
|                      | 10        | 15.0           | 5.0  | 15.0 | 5.00           | 16             | 32             | 0.8   | 12             | 9              | 3              | 18          | 1    | 2    | 9              | 4              | 0.6  | A      |
|                      | 13        | 15.0           | 7.5  | 15.0 | 3.75           | 16             | 35             | 0.8   | 12             | 9              | 3              | 18          | 1    | 2    | 9              | 4              | 0.6  | A      |
|                      | 15        | 15.0           | 7.5  | 30.0 | 3.75           | 16             | 37             | 1.0   | 12             | 9              | 3              | 18          | 1    | 2    | 9              | 4              | 0.6  | C      |
| 20                   | 15.0      | 7.5            | 30.0 | 3.75 | 16             | 42             | 1.0            | 12    | 9              | 3              | 18             | 1           | 2    | 9    | 4              | 0.6            | C    |        |

# NTC Thermistor : SCK Series

## Power Thermistor for Limiting Inrush Current



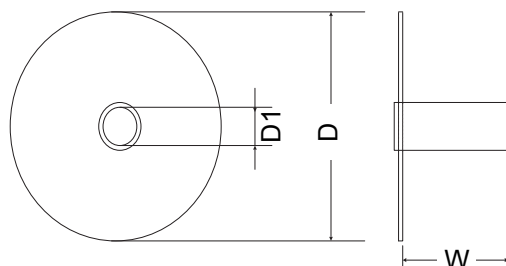
### ■ Quantity

#### ● Bulk Packing

| Series | Standard Lead Type<br>Quantity (pcs/bag) | Cut Lead Type<br>Quantity (pcs/bag) | L kink Type<br>Quantity (pcs/bag) |
|--------|--|-------------------------------------|-----------------------------------|
| SCK05  | 250                                      | 500                                 | ---                               |
| SCK08  | 250                                      | 250                                 | 200                               |
| SCK10  | 200                                      | 250                                 | 200                               |
| SCK13  | 100                                      | 200                                 | 100                               |
| SCK15  | 100                                      | 100                                 | 100                               |
| SCK20  | 500 (pcs/box)                            | 50                                  | 50                                |
| SCK25  | 168 (pcs/box)                            | 168 (pcs/box)                       | ---                               |
| SCK30  | 168 (pcs/box)                            | 168 (pcs/box)                       | ---                               |

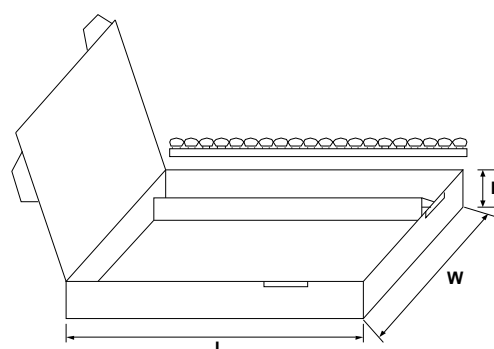
#### ● Reel Packing

| Series | D<br>(mm) | D1<br>(mm) | W<br>(mm) | Quantity<br>(pcs/reel) |
|--------|-----------|------------|-----------|------------------------|
| SCK05  | 340±10    | 31±1       | 46±1      | 2,500                  |
| SCK08  |           |            |           | 1,500                  |
| SCK10  |           |            |           | 1,500                  |
| SCK13  |           |            |           | 750                    |
| SCK15  |           |            | 52±1      | 750                    |
| SCK20  |           |            |           | 500                    |



#### ● Ammo Packing

| Series | Quantity (pcs/box)   |
|--------|--|
| SCK05  | 1,000  |
| SCK08  | 1,000  |
| SCK10  | 1,000  |
| SCK13  | 500 (P <sub>0</sub> 12.7mm)<br>1,000 (P <sub>0</sub> 15.0mm) |
| SCK15  | 500  |
| SCK20  | 500  |



(Unit: mm)

| Body Size | L   | W   | H  |
|-----------|-----|-----|----|
| Φ5~Φ20    | 348 | 275 | 60 |

### ■ Warehouse Storage Conditions of Products

#### ● Storage Conditions:

1. Storage Temperature: -10°C~+40°C
2. Relative Humidity: ≤75%RH
3. Keep away from corrosive atmosphere and sunlight.

#### ● Period of Storage: 1 year